

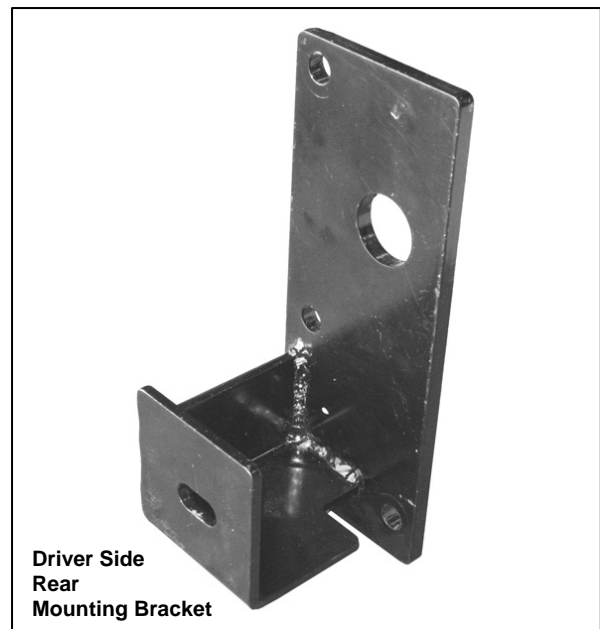
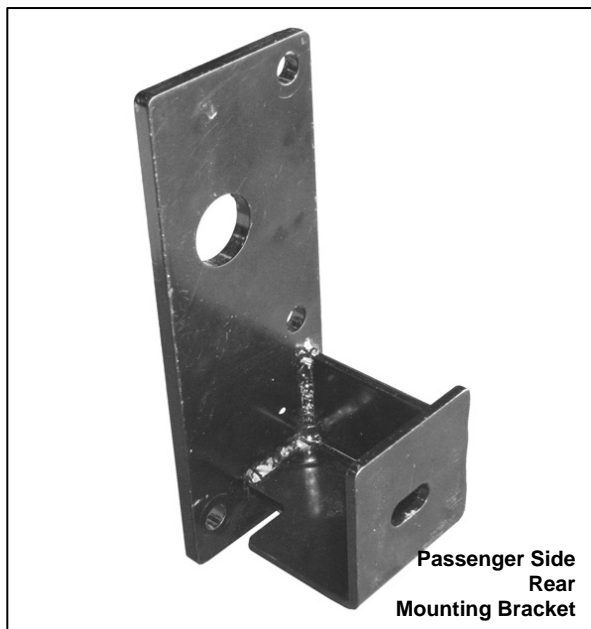
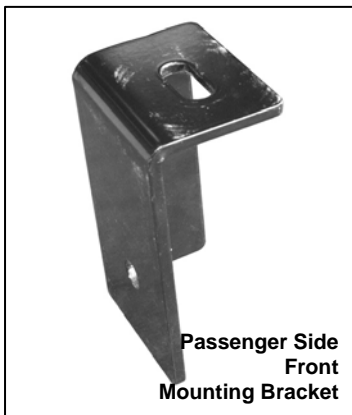


## INSTALLATION INSTRUCTIONS

**SIDEBAR PART # 204012-2/204012  
95-99 CHEVY TAHOE (4 DOOR)**

### PARTS LIST:

1	Driver/Left Sidebar	2	12-1.75mm x 120mm Hex Head Bolts
1	Passenger/Right Sidebar	10	12mm Lock Washers
2	Front Mounting Brackets	10	12mm ID x 24mm OD x 2mm Flat Washers
1	Driver/Left Mounting Bracket	8	12-1.75mm x 45mm Hex Head Bolts
1	Passenger/Right Mounting Bracket	4	12mm Hook Plates



## PROCEDURE:

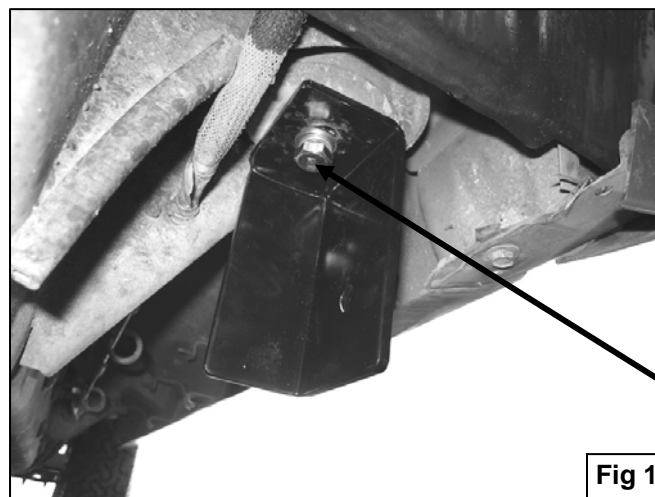
1. **REMOVE CONTENTS FROM BOX. VERIFY ALL PARTS ARE PRESENT. READ INSTRUCTIONS CAREFULLY BEFORE STARTING INSTALLATION.**
2. Starting on the driver side of the vehicle, remove the front body mount bolt. **NOTE:** You will be replacing this factory bolt with the included 12mm x 120mm Bolt.
3. Partially attach driver side front Mounting Bracket to body mount using the included (1) 12-1.75mm x 120mm Hex Head Bolts, (1) 12mm Lock Washer, and (1) 12mm Hex Nut (**Figure 1**).
4. Position the driver side rear Mounting Bracket up to the frame between the leaf spring and frame. Place one Hook Plate on top and one on the bottom over the edge of the frame (**Figure 2 & 3**). Attach Hook Plates to Mounting Bracket using the included (2) 12-1.75mm x 45mm Hex Head Bolts, (2) 12mm Lock Washers, and (2) 12mm Flat Washers. **NOTE:** Make sure the clearance holes in the rear Mounting Bracket are around the plastic fasteners in the frame. **IMPORTANT!** Adjust bottom Hook Plate so the emergency brake cables are not binding on it. Do not tighten at this time (**Figure 3 & 4**).
5. Position driver Sidebar up to Mounting Brackets and use the included (2) 12-1.75mm x 45mm Hex Head Bolts, (2) 12mm Lock Washers, and (2) 12mm Flat Washers (**Figure 5 & 6**). Do not tighten at this time.
6. Level and adjust Sidebar properly and then tighten all hardware at this time.
7. Repeat steps 2 – 6 for passenger Sidebar.
8. Do periodic inspections to the installation to make sure that all hardware is secure and tight.

**To protect your investment**, wax this product after installing. Regular waxing is recommended to add a protective layer over the finish. Do not use any type of polish or wax that may contain abrasives that could damage the finish.

**For stainless steel:** Aluminum polish may be used to polish small scratches and scuffs on the finish. Mild soap may be used also to clean the Sidebar.

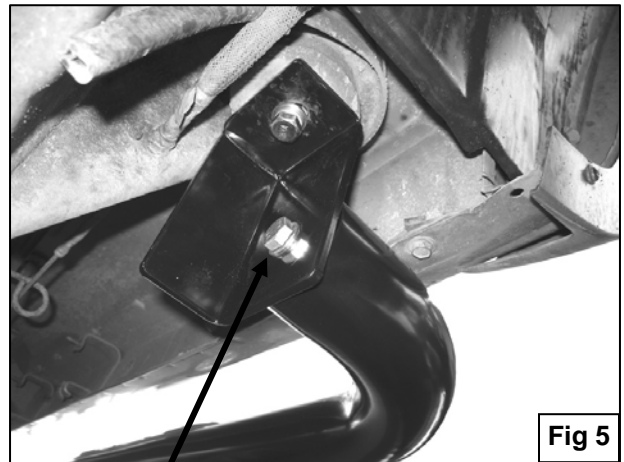
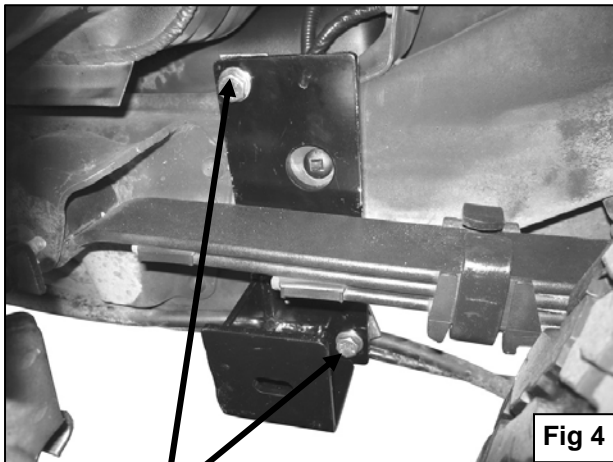
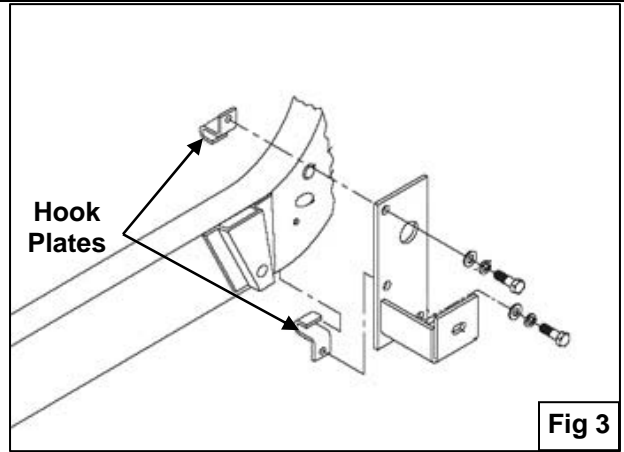
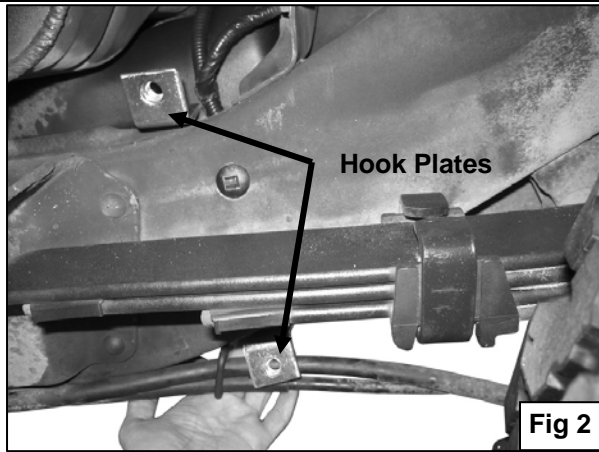
**For gloss black finishes:** Mild soap may be used to clean the Sidebar.

### (Driver Side Installation Shown)



**Fig 1**

12mm x 45mm Hex Bolts  
12mm Lock Washers  
12mm Flat Washers



(Hook Plates)  
 12mm x 45mm Hex Bolts  
 12mm Lock Washers  
 12mm Flat Washers

12mm x 45mm Hex Bolts  
 12mm Lock Washers  
 12mm Flat Washers



12mm x 45mm Hex Bolts  
 12mm Lock Washers  
 12mm Flat Washers