

INSTALLATION INSTRUCTIONS

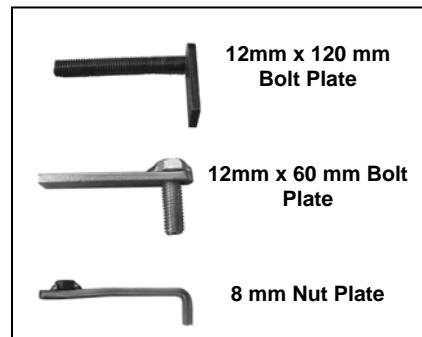
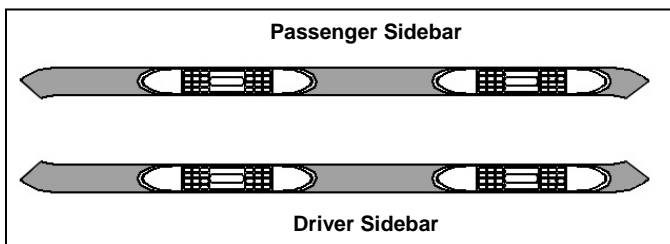
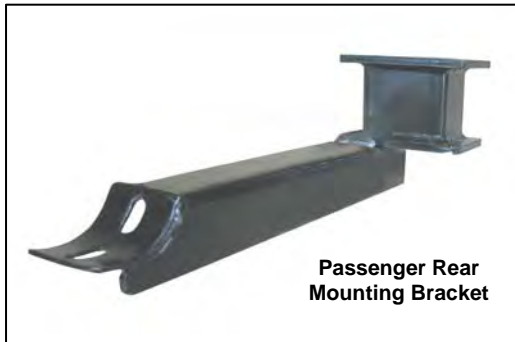
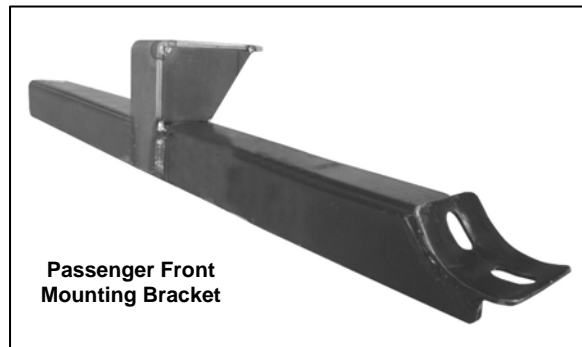
OVAL

2010 LEXUS 350

PART NUMBER 222016/222016-2

PARTS LIST:

1	Driver/Left Sidebar	2	12mm Lock Washers
1	Passenger/Right Sidebar	2	12mm Hex Nuts
1	Driver/Left Front Mounting Bracket	2	12mm Oversize Hex Nuts
1	Passenger/Right Front Mounting Bracket	2	12mm ID x 35mm OD x 3mm Flat Washers
1	Driver/Left Rear Mounting Bracket	2	8-1.00mm x 25mm Hex Bolts
1	Passenger/Right Rear Mounting Bracket	2	8mm ID x 19mm OD x 1.5mm Flat Washers
2	12-1.75mm x 60mm Bolt Plate	2	
2	12-1.75mm x 120mm Bolt Plate	8	8-1.25mm x 40mm Hex Bolts
2	8mm Nut Plate	8	16 mm Lock Washers
		8	8mm ID x 22m OD x 3mm Flat Washers

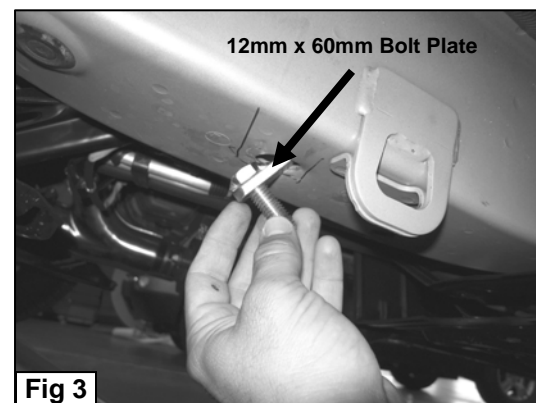
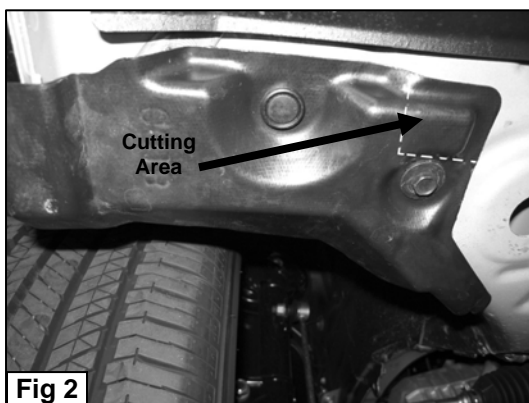
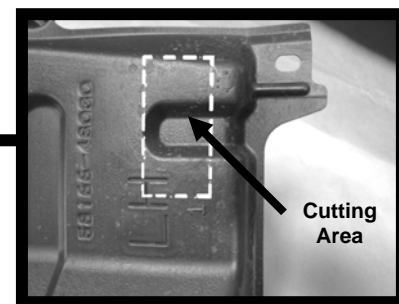
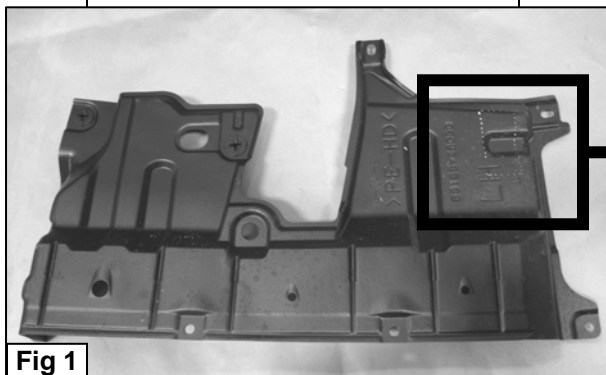


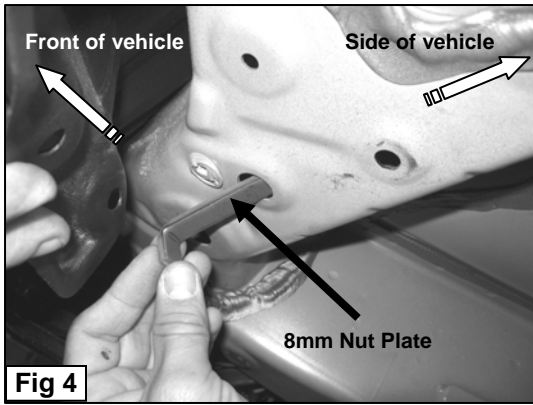
PROCEDURE:

1. REMOVE CONTENTS FROM BOX. VERIFY ALL PARTS ARE PRESENT. READ INSTRUCTIONS CAREFULLY BEFORE STARTING INSTALLATION.
2. **NOTE:** If equipped, remove factory mud flaps from vehicle. You will not be re-installing mud flaps.
3. From underside of vehicle, remove front and middle section of the driver side plastic rock guard (**Figure 1 & 2**).
4. Place the plastic rock guard on a clean working area. Use a hack saw to cut out an opening 2" x 31/2" on the middle rock guard as marked in **Figure 1**. Cut a 1 1/2" x 1 1/2" opening in the front guard as marked in **Figure 1 & 2**.
5. Re-position plastic rock guard back to the vehicle and tighten it using the factory fasteners.
6. Insert (1) 12mm x 60mm Bolt Plate into factory hole in the inner frame rail located by the front tie downs (**Figure 3**).
7. There are four factory holes in the cross frame rail, two holes front to back and two perpendiculars. Insert (1) 8mm Nut Plate into the outer perpendicular hole (larger) and orient it to the rear front to back hole (**Figure 4**).
8. Partially hang driver side front Mounting Bracket to already inserted 12mm Bolt plate and secure it using (1) 12mm Lock Washer, (1) 12mm Flat Washer, and (1) 12mm Hex Nut (**Figure 5**). Proceed to attach the outer side of the front Mounting Bracket to already inserted 8mm Nut Plate and secure it using (1) 8mm x 40mm Hex Head Bolt, (1) 6mm Lock Washer, and (1) 6mm Flat Washer (**Figure 5**).
9. Remove the rubber grommet located in the rear floor panel. Insert (1) 12mm x 120mm Bolt Plate into existing oval factory hole (**Figure 6**). **NOTE:** Insert Bolt Plate with plate facing the rear of the vehicle. Once inserted push it towards the front of the vehicle to fully engage.
10. Partially hang driver rear Mounting Bracket to already inserted Bolt Plate. Use the included (1) 12mm Oversize Hex Nut to attach Mounting Bracket to already inserted Bolt Plate (**Figure 7**). **IMPORTANT! When tightening the Bolt Plate, make sure that is fully engage at all times.**
11. Position driver's Sidebar onto Mounting Brackets. Use the included (4) 8mm x 25mm Hex Head Bolts, (4) 8mm Lock Washers, and (4) 8mm Flat Washers to attach Sidebar to Mounting Brackets (**Figure 7**).
12. Align Sidebar properly, and then tighten all hardware at this time.
13. Repeat steps 2 – 11 for passenger Sidebar. **NOTE:** On the passenger you would need to remove the entire plastic rock guard. The cutting location is the same as the driver side.
14. Do periodic inspections to the installation to make sure that all hardware is secure and tight.

(Driver Sidebar Installation Shown)

Driver Side Middle Plastic Rock Guard

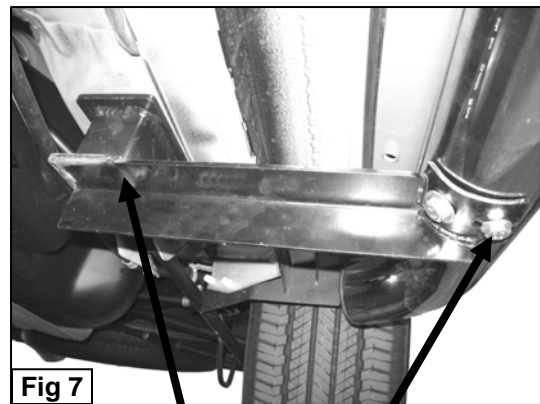
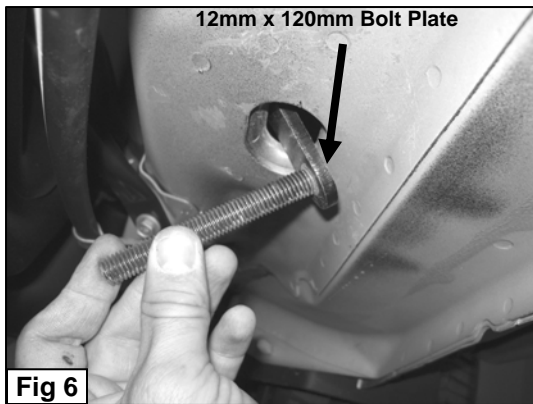
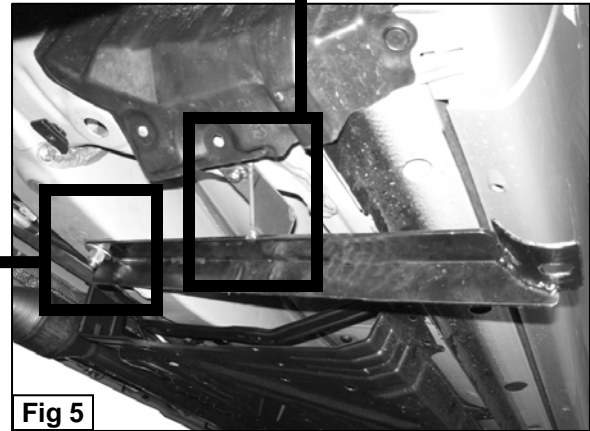
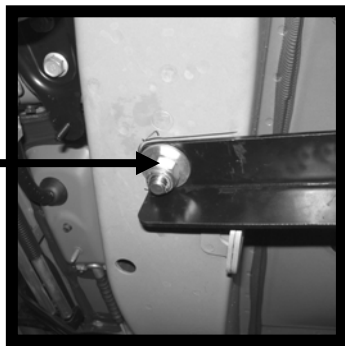




(8mm Nut Plate)
 8mm x 25mm Hex Bolt
 8mm Lock Washer
 8mm Flat Washer



(12mm x 60mm Bolt Plate)
 12mm Lock Washer
 12mm Flat Washer
 12mm Hex Nut



8mm x 25mm Hex Bolts
 8mm Lock Washers
 8mm Flat Washers

(12mm x 120mm Bolt Plate)
 12mm Double Nut

Installation
 Complete

Fig 8