

INSTALLATION INSTRUCTIONS

E-SERIES STEP BARS / 4" OVAL STEP BARS

APPLICATION:

2011 - 2017 Jeep Grand Cherokee

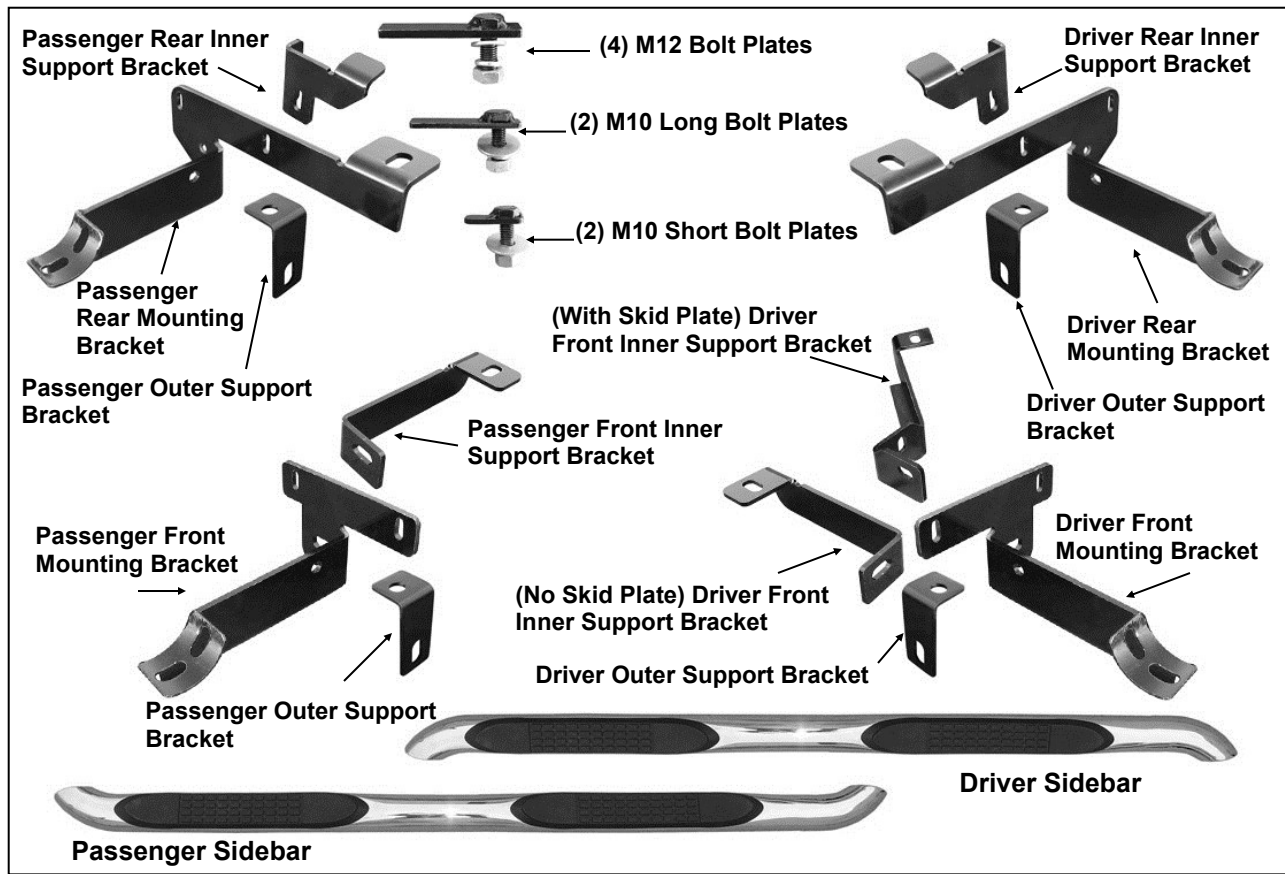
PART NUMBER:

23-3610, 23-3615, 21-3610, 21-3615, 23-73610



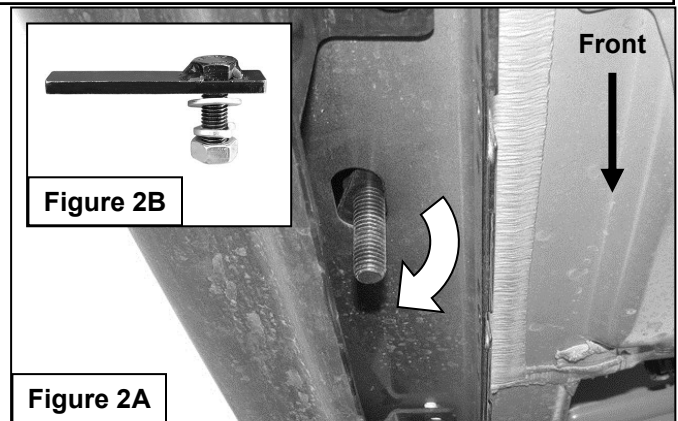
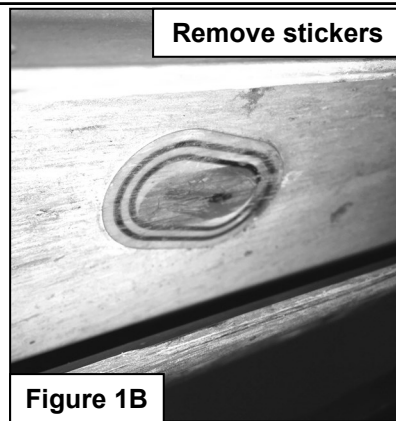
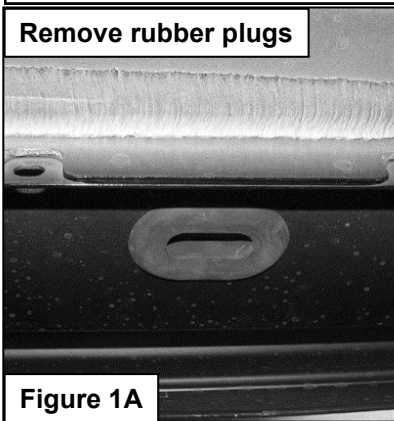
ITEM	QUANTITY	DESCRIPTION	TOOLS NEEDED
1	2	STEPBARS	10MM SOCKET
2,3	2	FRONT MOUNTING BRACKET, DRIVER (2) AND PASSENGER (3)	13MM SOCKET
4	1	DRIVER FRONT INNER SUPPORT BRACKET (4WD W/SKID PLATE)	16MM SOCKET
5	1	DRIVER FRONT INNER SUPPORT BRACKET (2WD/4WD W/O SKID PLATE)	18MM SOCKET
6,7	2	PASSENGER OUTER SUPPORT BRACKET (FITS PASSENGER FRONT AND REAR ONLY)	RATCHET
8	1	PASSENGER INNER SUPPORT BRACKET (ALL)	TORQUE WRENCH
9,10	2	REAR MOUNTING BRACKET, DRIVER (9) AND PASSENGER (10)	
11,12	2	REAR INNER SUPPORT BRACKET, DRIVER (11) AND PASSENGER (12)	
13	4	M12 BOLT PLATES	
14	2	M10 LONG BOLT PLATES	
15	2	M10 SHORT BOLT PLATES	
16	2	M12 HEX HEAD BOLTS	
17	4	M12 LARGE FLAT WASHERS	
18	4	M12 SMALL FLAT WASHERS	
19	6	M12 LOCK WASHERS	
20	6	M12 HEX NUTS	
21	1	M10 x 40MM HEX HEAD BOLTS	
22	2	M10 x 35MM HEX HEAD BOLTS	
23	6	M10 x 30MM HEX HEAD BOLTS	
24	18	M10 FLAT WASHERS	
25	8	M10 LOCK WASHERS	
26	8	M10 HEX NUTS	
27	3	M10 NYLOCK NUTS	
28	8	M8 x 25MM HEX HEAD BOLTS	
29	8	M8 FLAT WASHERS	
30	8	M8 LOCK WASHERS	
31	8	M6 HEX HEAD BOLTS	
32	16	M6 FLAT WASHERS	
33	8	M6 NYLOCK NUTS	

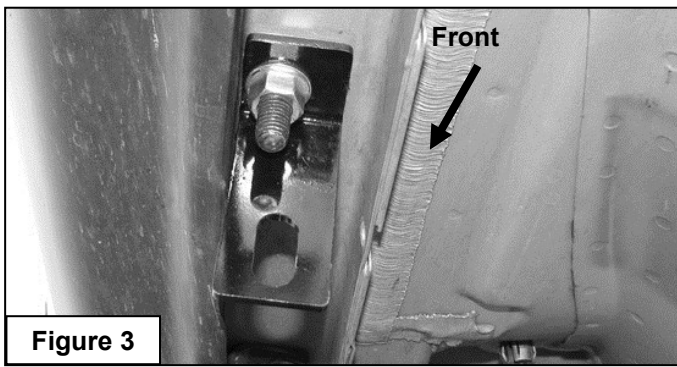
ANTI-SEIZE LUBRICANT MUST BE USED ON ALL STAINLESS STEEL FASTENERS TO PREVENT THREAD DAMAGE AND GALLING



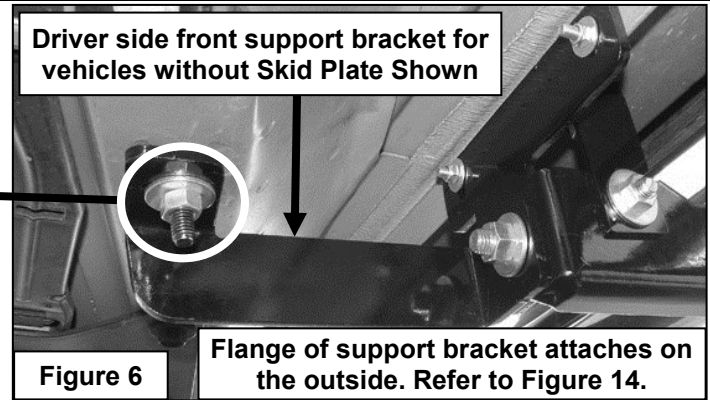
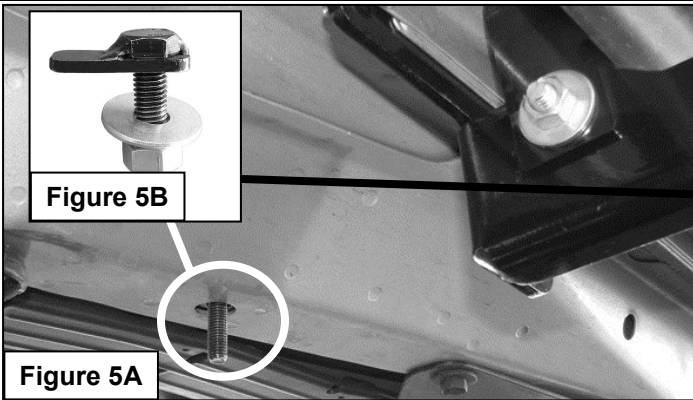
PROCEDURE

1. Remove contents from box, verify if all parts listed are present and free from damage. Carefully read and understand all instructions before attempting installation.
Failure to identify damage before installation could lead to a rejection of any claim.
2. Starting at the driver side front, remove the rubber plug or sticker covering the oval hole in the bottom of the rocker panel, see **Figures 1A & 1B**. **Note:** The rubber plug or sticker that is being removed is second from the front. Insert (1) M12 Bolt Plate into the hole and rotate 90-degrees to the slot, see **Figures 2A & 2B**.
Note: Repeat step for all Bolt Plate installations.
Select (1) Driver Side Outer Support Bracket and secure to the Bolt Plate with (1) M12 lock washer, (1) M12 small flat washer and (1) M12 hex nut, see **Figure 3**. Do not tighten hardware at this time.
3. Next, select the Driver Side Front Mounting Bracket. Bolt the Mounting Bracket to the back of the pinch weld with (2) M6 hex bolts, (4) M6 flat washers and (2) M6 nylock nuts, see **Figure 4**.

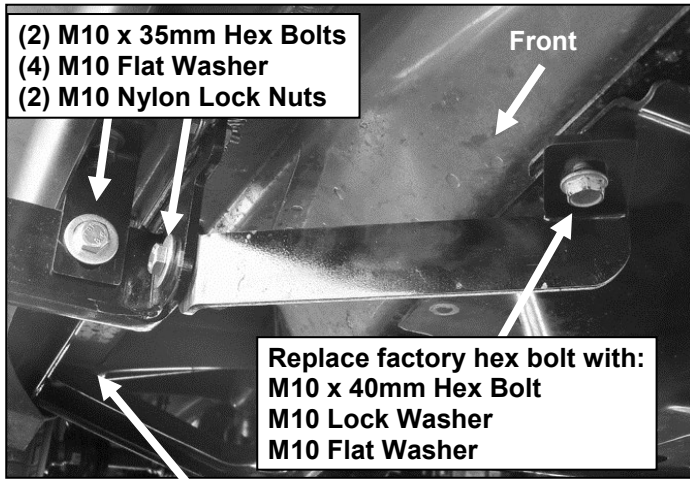




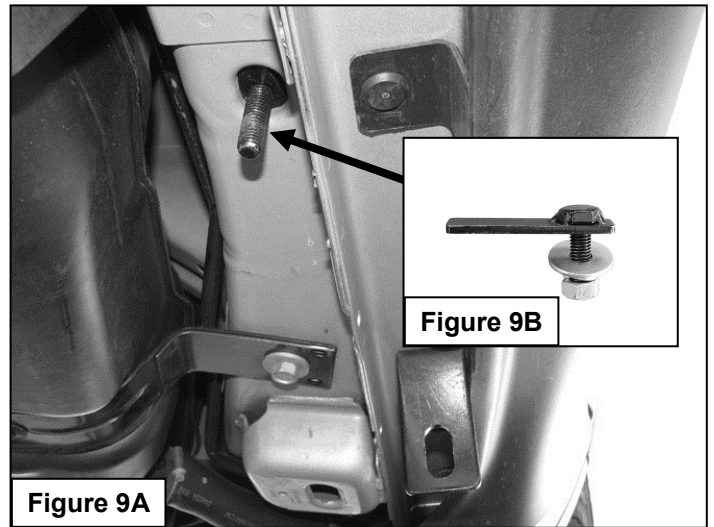
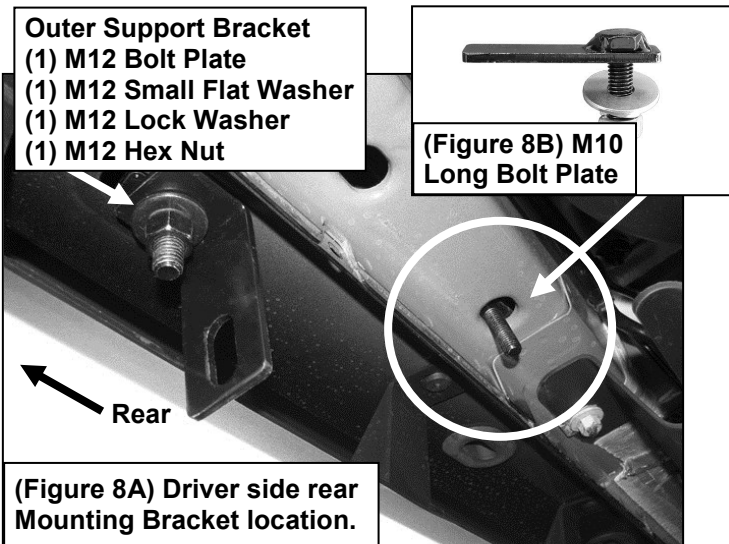
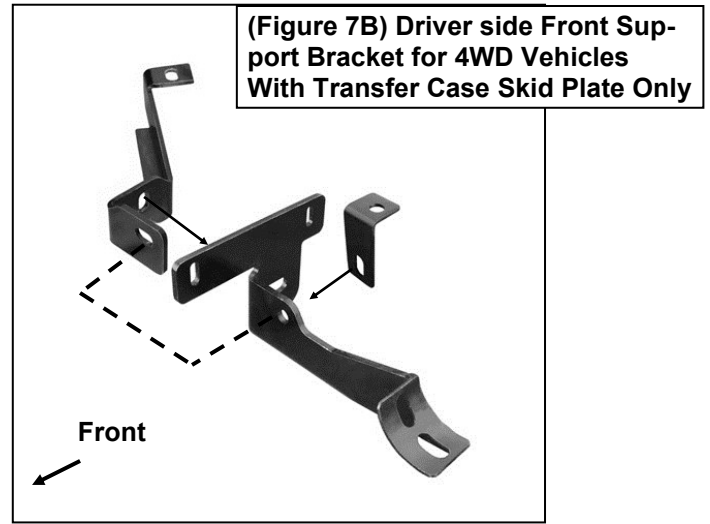
4. Select the correct driver side Inner Support Bracket for your application.
- For 2WD vehicles or 4WD without optional factory transfer case skid plate:** Locate the oval hole in the bottom of the frame channel. Insert (1) M10 short bolt plate into the hole and rotate it 90-degrees. See **Figures 5A & 5B**. Select the Driver Side Front Inner Support Bracket. Bolt the Bracket to the previously installed Bolt Plate with (1) M10 flat washer, (1) M10 lock washer and (1) M10 hex nut. See **Figure 6**. Line up the remaining hole in the Support Bracket with the hole in the center of the Front Mounting Bracket. **Note:** Flange of inner support bracket attaches on the outside. (**Figure 14**) Bolt the two Brackets together with (1) M12 hex bolt, (2) M12 large flat washers, (1) M12 lock washer and (1) M12 hex nut. See **Figure 6**. Line up the hole in the Outer Support Bracket with the hole in the Front Mounting Bracket. **Note:** The Outer Support Bracket will line up on the forward facing side of the Mounting Bracket. Bolt the two Brackets together with (1) M10 x 30mm hex bolt, (2) M10 flat washers and (1) M10 nylon lock nut. See **Figures 5A & 6**. Do not tighten.



4. **For 4WD vehicles with optional transfer case skid plate:** Step below applies to driver side Inner Support Bracket installation only. Use Step above for passenger side Inner Support Bracket installation. On the driver side, locate the hex bolt securing the rear of the skid plate to the bottom of the frame channel. See **Figure 7A**. Remove the factory hex bolt. Select the Driver Side Front Inner Support Bracket for models W/Factory Skid Plate. See **Figure 7B**. Place the Bracket over the skid plate and bolt it in place with (1) M10 x 40mm hex bolt, (1) M10 flat washer and (1) M10 lock washer. Leave hardware loose at this time. Line up the (2) holes in the outer end of the Support Bracket with the holes in the Front Mounting Bracket. Line up the hole in the Outer Support Bracket with the hole in the Mounting Bracket and Support Bracket. See **Figure 7A**. **Note:** The Outer Support Bracket will line up on the rear facing side of the Mounting Bracket. See **Figure 7B**. Bolt the (3) Brackets together with (2) M10 x 35mm hex bolts, (4) M10 flat washers and (2) M10 nylon lock nuts. Do not tighten hardware at this time.
- Note:** Follow step above for passenger side Inner Support Bracket installation instructions for all vehicles.
5. Move to the driver side rear of the vehicle and remove the rubber plug or sticker in the bottom of the rocker panel as described in **Step 2**. Insert (1) M12 bolt plate into the oval hole and rotate 90-degrees to the slot. See **Figure 8**. Select (1) Driver Side Outer Support Bracket and secure it to the Bolt Plate with (1) M12 lock washer, (1) M12 small flat washer and (1) M12 hex nut. Locate the oval hole in the floor panel on the other side of the pinch weld, forward of this location. Insert (1) M10 large bolt plate into the hole and rotate 90-degrees to the oval hole. See **Figures 9A & 9B**.



(Figure 7A) Driver side Front Support Bracket Installation for 4WD Vehicles With Transfer Case Skid Plate Only. NOTE: Move Outer Support Bracket to back of Mounting Bracket.



6. Next, select the Driver Side Rear Mounting Bracket. Bolt the Mounting Bracket to the back of the pinch weld with (2) M6 hex bolt, (4) M6 flat washers and (2) M6 nylon lock nut. See **Figure 10**. Hang the Bracket from the previously installed forward Bolt Plate with (1) M10 flat washer, (1) M10 lock washer and (1) M10 hex nut. See **Figure 10**. Line up the hole in the Outer Support Bracket with the hole in the Mounting Bracket. Bolt the Brackets together with (1) M10 x 30mm hex bolt, (2) M10 flat washers, (1) M10 nylon lock nut. See **Figures 11 & 13**. Do not tighten hardware at this time.
7. Select the driver side Rear Inner Support Bracket. Bolt the Support Bracket to the back of the Mounting Bracket with (1) M10 x 30mm hex bolt, (2) M10 flat washers and (1) M10 nylock nut. See **Figures 11 & 12**. Do not tighten hardware.
8. Select the Sidebar and carefully place it in position on the (2) Mounting Brackets. Line up the threaded holes in the Sidebar with the slots in the Brackets and bolt it in place with the included (4) M8 hex bolts, (4) M8 lock washers and (4) M8 flat washers. See **Figure 13**. Snug all hardware but do not tighten at this time.
9. Adjust bar as needed and tighten all hardware at this time. Torque all M12 fasteners to 45-50 ft lbs, M10 to 30-35 ft lbs, M8 to 15-18 ft lbs, and M6 to 7-8 ft lbs.
10. Repeat **Steps 2 - 9** for passenger side. **Note:** Remove wire harness prior to installing brackets on passenger side. Remove (4) M10 nuts to remove the wire harness. See **Figure 15**.
11. Reattach the wire harness to the vehicle using the (4) M10 nuts.

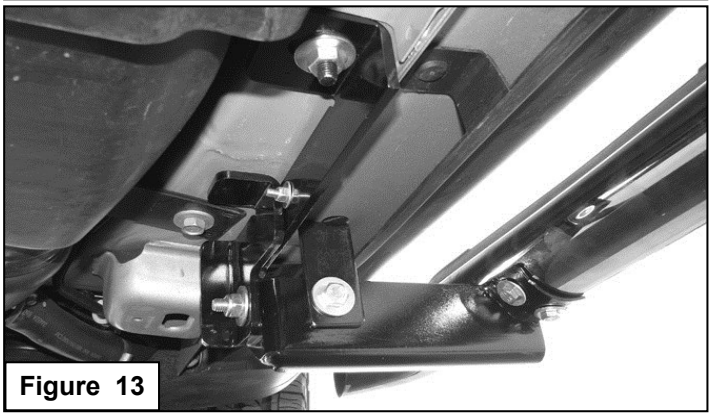
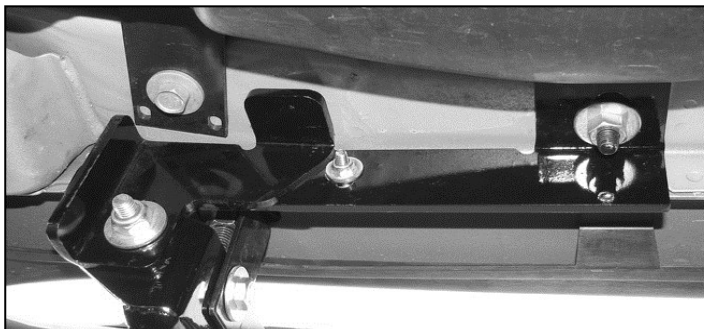
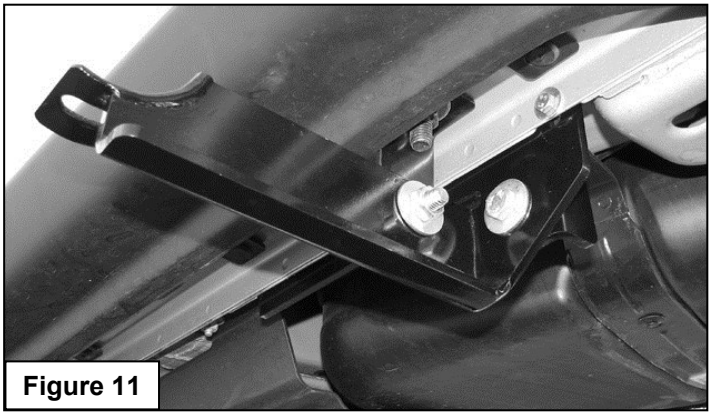
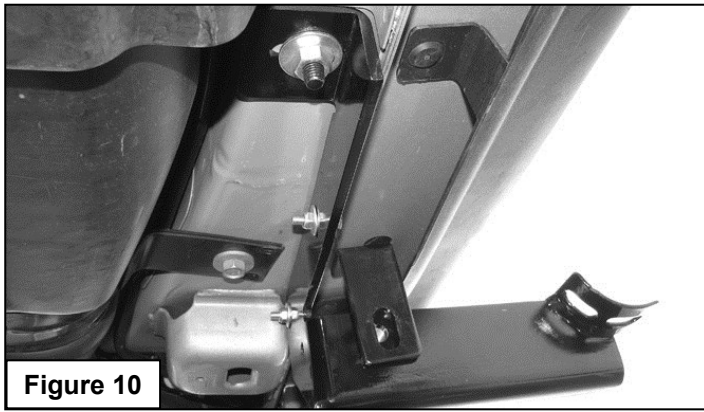
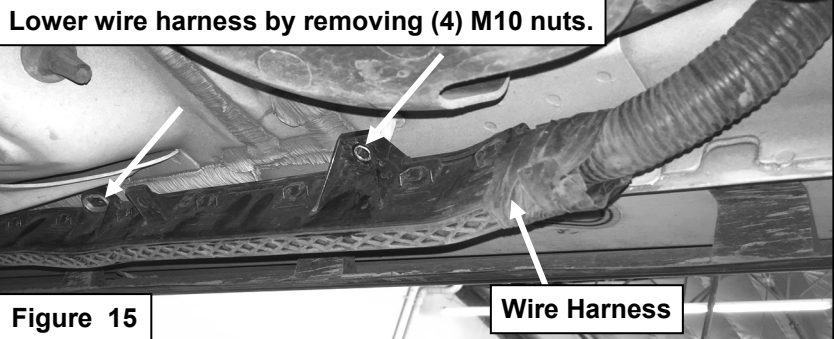
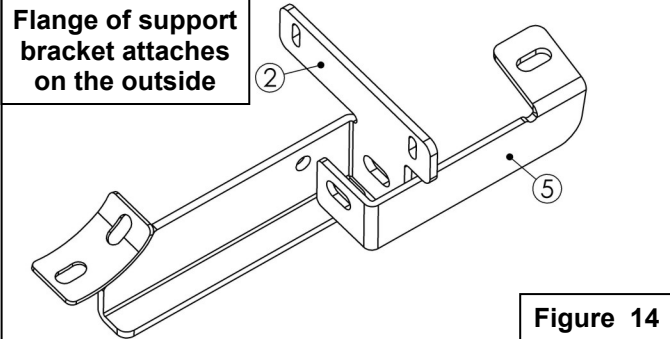


Figure 10

Figure 11

(Figure 12) Support Bracket to Rear Mounting Bracket Installation

Figure 13



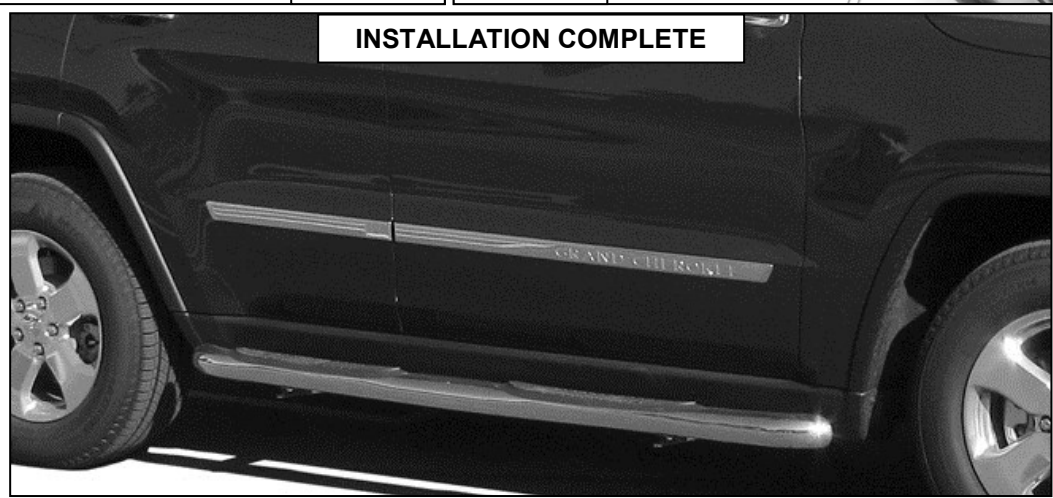
Flange of support bracket attaches on the outside

Lower wire harness by removing (4) M10 nuts.

Figure 14

Figure 15

Wire Harness



INSTALLATION COMPLETE

CARE INSTRUCTIONS

- REGULAR WAXING IS RECOMMENDED. DO NOT USE ANY TYPE OF POLISH OR WAX THAT MAY CONTAIN ABRASIVES.
- STAINLESS STEEL PRODUCTS CAN BE CLEANED WITH MILD SOAP AND WATER. STAINLESS STEEL POLISH SHOULD BE USED TO POLISH SMALL SCRATCHES.
- GLOSS BLACK FINISHES SHOULD BE CLEANED WITH MILD SOAP AND WATER.

WESTIN Westin Automotive Products, Inc.
320 W. Covina Blvd
San Dimas, Ca. 91773

Thank you for choosing Westin products
for additional installation assistance please call
Customer Service (800) 793-7846
www.westinautomotive.com



WARNING



Failure to follow these instructions could lead to death, personal injury, and / or property damage.

FASTENERS:

All Westin supplied fasteners must be utilized and installed in accordance with the installation instructions and apply torque to the specifications as defined. **DOUBLE CHECK ALL FASTENERS BEFORE INITIAL USE, AND PERIODICALLY IN THE FUTURE TO ENSURE PROPER FUNCTION AND SAFETY.**

DRILLING:

Most Westin products do not require drilling for installation. If drilling is defined as required, use caution when drilling a vehicle. **FAILURE TO REVIEW AN AREA TO BE DRILLED MAY RESULT IN PERSONAL INJURY AND/OR INJURY TO OTHERS AS WELL AS VEHICLE DAMAGE.**

EYE PROTECTION:

ALWAYS WEAR SAFETY GLASSES OR GOGGLES DURING THE INSTALLATION PROCESS TO AVOID PERSONAL INJURY.

MAXIMUM TOWING/CARRYING CAPACITY:

The Westin Receiver Hitches will have a visible tow rating label affixed directly on the product. User should never exceed the vehicle manufacturers maximum tow and weight rating regardless of the capacity of the hitch. **FAILURE TO FOLLOW THESE GUIDELINES WILL VOID THE WESTIN WARRANTY AND MAY RESULT IN PERSONAL INJURY AND/OR INJURY TO OTHERS AS WELL AS VEHICLE DAMAGE.**