

## LATCH ADJUSTMENT

1. Periodic adjustment of striker may be needed.
2. Make sure there is clearance between striker bolt and inside edge of box. This adjustment is made by loosening the two nuts on the striker bolt and moving the striker bolt away from the inside edge of box. Retighten both nuts. See illustration 2.
3. Check and make sure that the striker bolt is able to travel down into the latch opening. If striker needs adjustment use a hammer and tap the striker bolt in the direction needed to allow it to travel into latch opening. See illustration 1.
4. If lid is loose when the box lid is closed, move the striker up. If the lid will not latch or if the lid is tight move the striker bolts down.
5. Occasional light oiling of the hinge may be needed.
6. Clean with non abrasive soap and water, using a soft cloth. Make sure to wipe in the direction of the grain.
7. **Both push buttons must be locked to completely lock toolbox.**

Illustration 1

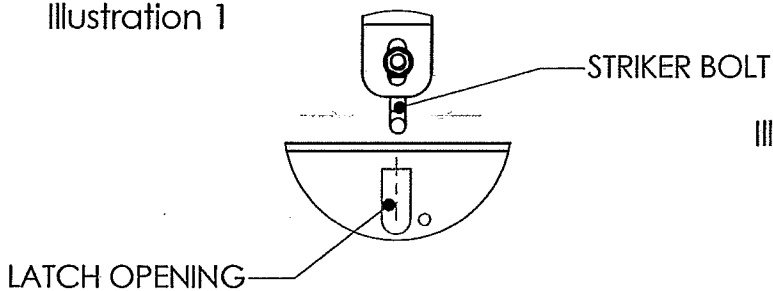
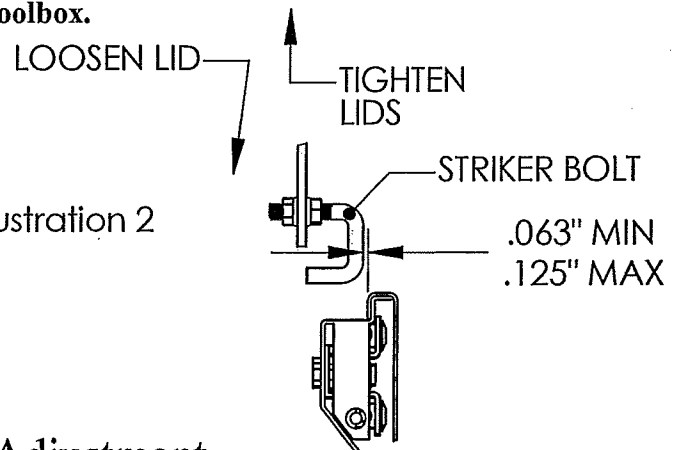


Illustration 2

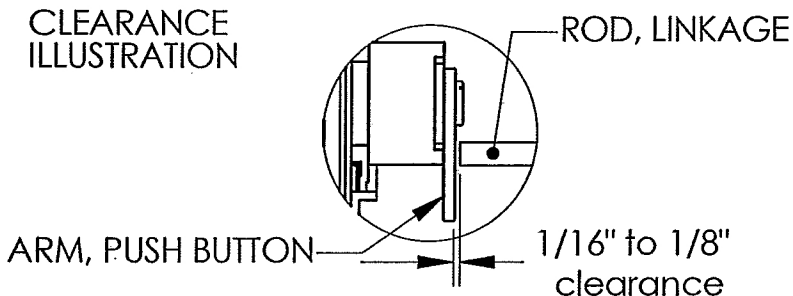


## Toolbox Linkage Adjustment

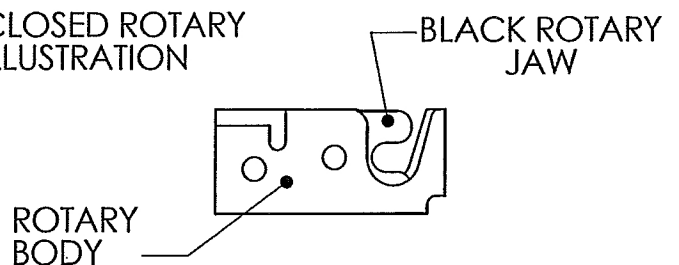
Note all measurements and adjustments are done with the rotary latches in their closed position.

1. Remove the button covers from each end of the toolbox. *Note: The button covers are the small-formed sheet metal piece at both ends of the tool box that close the gap between the latch cover and the end of the toolbox.*
2. Close the rotary latch jaws completely.
3. Check the clearance between the end of the rod and the arm on the push button; there should be 1/16" to 1/8" of clearance. See clearance illustration.

CLEARANCE ILLUSTRATION



CLOSED ROTARY ILLUSTRATION



4. If the linkage needs adjusting remove the screws holding the latch mount in the toolbox and remove the rotary mount assembly. *Note: The latch mount is the assembly that contains the linkage rod and the rotary mount. The latch mount is located on the back side of the face of the tool box that the logo is located on.*
5. Loosen the set screw in the rod guide and move the rod in or out to obtain the proper clearance between the rod and arm. *Hint: Mark rod before moving, this will ease in the adjustment.*
6. On the latch with both rods on the bottom of the latch check the clearance between the rods, the ends of the rods must not touch when the linkage is activated. If the rods touch loosen both set screws for the long connecting rod and move it away from the short rod.
7. Reinstall rotary mount assembly and check clearance then reinstall button covers. *Note: Open rotaries before closing lid.*

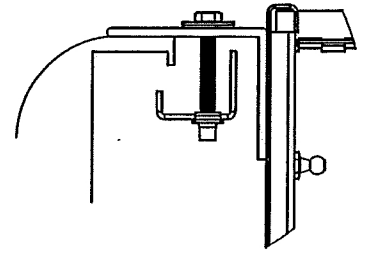


Illustration 3

#### Crossover Toolbox Installation Instructions

1. Position toolbox so it's centered between bed rails.
2. Mark the under side of the toolbox along the bed rail pinch weld.
3. Remove toolbox and mark the toolbox 1/4" in from the mark you just made. *Note: the new marks will be closer to the center of the box than the old mark was. (If the tool box has knockout's in it simply knock out the appropriate one with a screw driver and use it for the hole to place the 5/16" bolt).* Using the new line, drill an 11/32" hole for the 5/16" bolt. *Note: Check for stake pocket location, you may need to move the mounting location to miss the stake pocket.*
4. If the toolbox contains a strip of rubber cut strip into two equal pieces. If the toolbox contains a roll of foam cut the foam so that it makes two pieces approx. 19.75" in length. Remove the backer from the rubber strip or the foam and stick it to the bottom of the toolbox where it will touch the rail of the truck.
5. Reposition tool box on truck bed and attach with mounting clamp. See illustration 3.
6. Torque bolts to 50 lb-in..

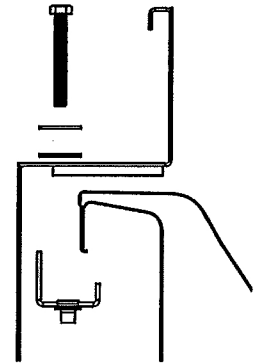


Illustration 4

#### Side Mount Toolbox

1. Position the toolbox on the bed rail. You will need a 5/8" minimum space between box and truck box for mounting clamp.
2. If there is an existing crossover toolbox installed, align outside of side box with existing box. Make sure to leave enough room between the two boxes for the lids to open.
3. Cut either the foam roll or the rubber strip into three equal size pieces, remove the backer and stick one piece of foam or the rubber to the center and both ends of the toolbox where it will touch the truck rail.
4. Mark the under side of the toolbox along the bed rail pinch weld. Drill an 11/32" hole 1/4" in from the line at each end of toolbox. *Note: The hole location will be closer to the center of the truck bed than the pinch weld mark.*
5. Attach toolbox with mounting clamp. See illustration 3.
6. Torque bolts to 50 lb-in.
6. Once you have the tool box fastened and leveled, place support bracket at both ends of toolbox. Holding the bracket in position, use holes in bracket as a guide to drill an 11/32" hole in box and one in the inner wall of the truck bed. Fasten with 5/16" bolts and fasteners provided. See illustration 4.

