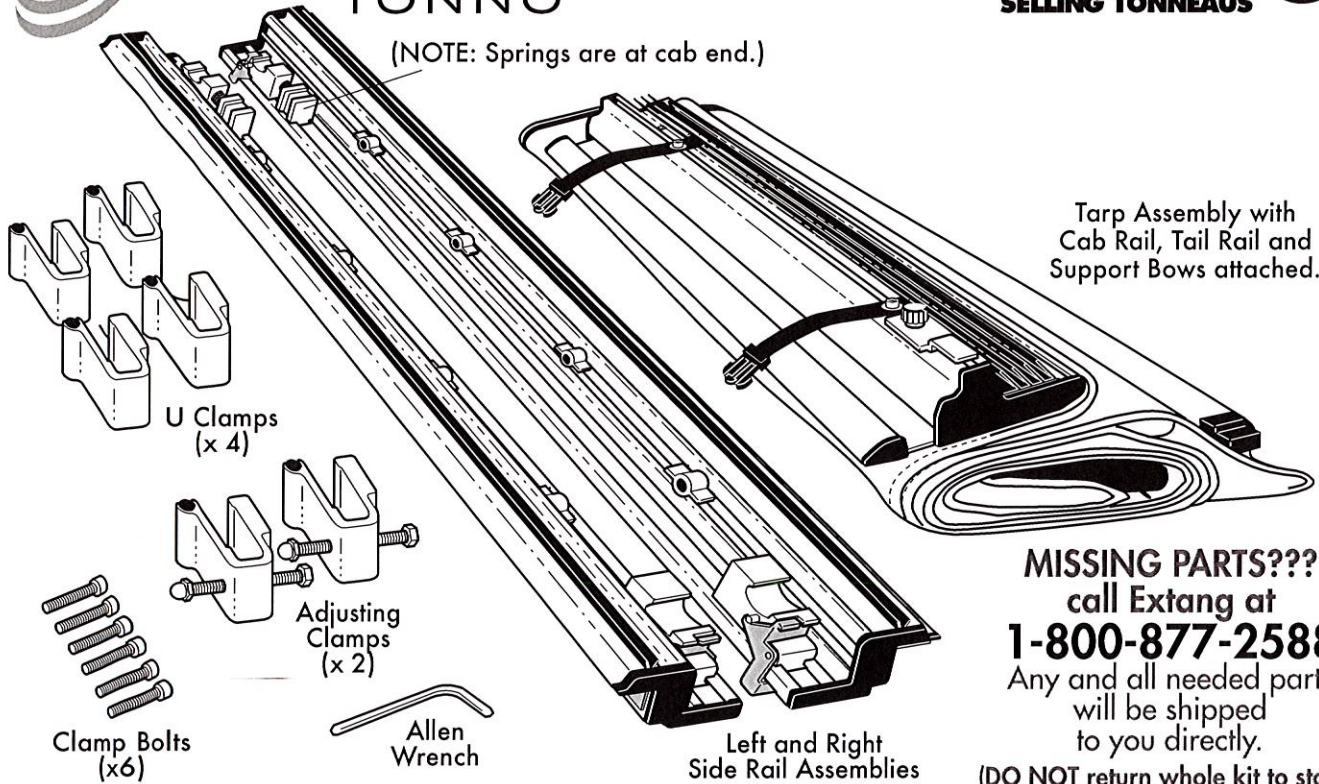


INSTALLATION SHEET

Revolution TONNO

extang
AMERICA'S BEST
SELLING TONNEAUS

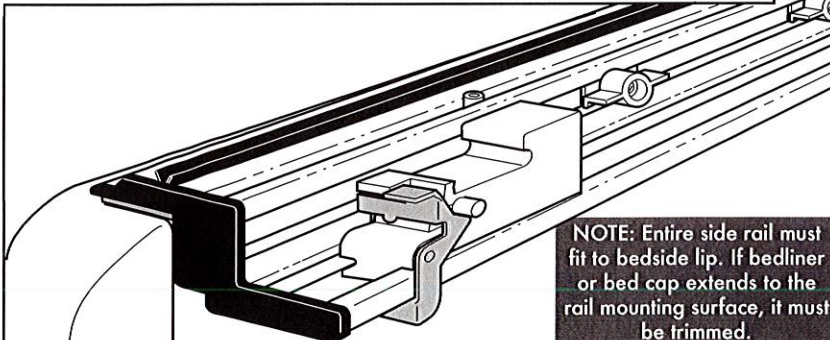
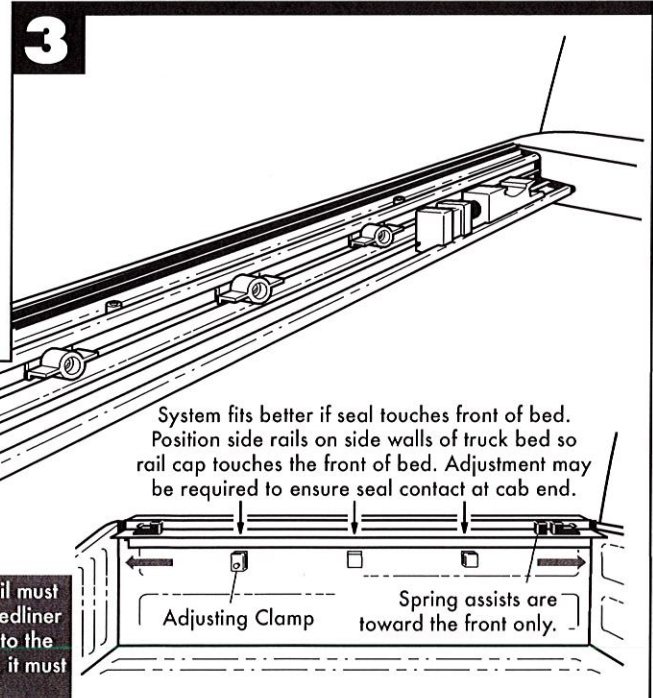
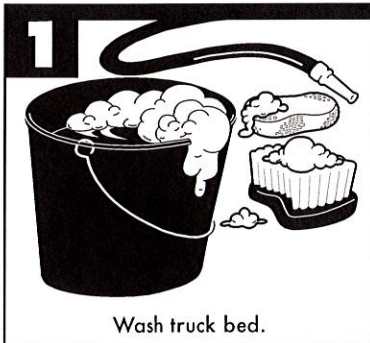


MISSING PARTS???
call Extang at
1-800-877-2588

Any and all needed parts
will be shipped
to you directly.

(DO NOT return whole kit to store)

PARTS INCLUDED IN YOUR KIT. You may want to lay them out in this manner for accessibility.



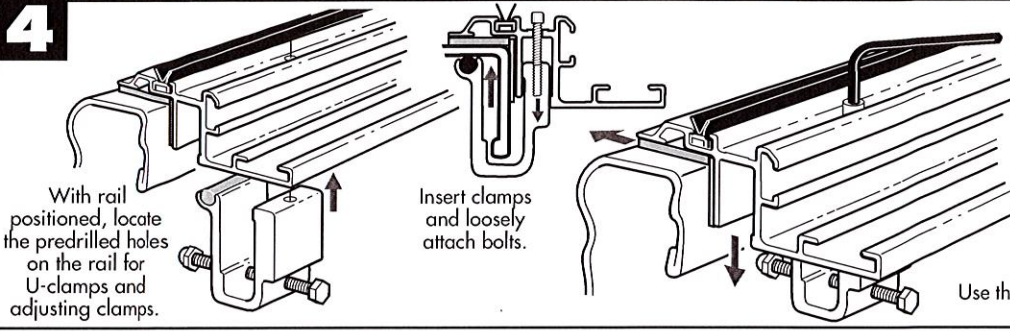
Extang Corporation
5400 S. State Rd.
Ann Arbor MI 48108
734-677-0444, Fax: 734-677-8409

0221

Register your warranty at:
extang.com

Item No. 0175-1403 RH Printed in U.S.A.

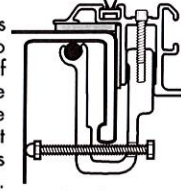
4 With rail positioned, locate the predrilled holes on the rail for U-clamps and adjusting clamps.



Insert clamps and loosely attach bolts.


Push rail downward and outward and tighten bolts with Allen wrench provided. Repeat steps 3 and 4 for the other rail.

Rear clamp is adjustable to keep tail end of side rail square to bed. Use shortest bolt that engages sidewall.



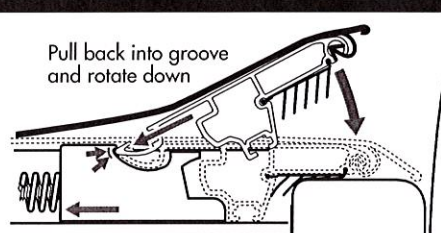
Use the most outboard position that the clamp will fit.

5 Place tonno assembly in the cab end of truck bed.

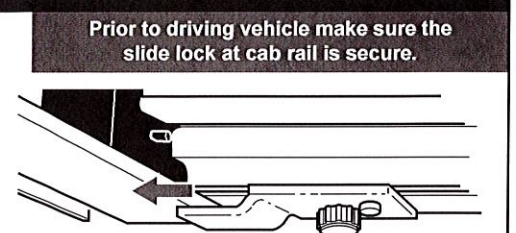


Pull back into groove and rotate down

Prior to driving vehicle make sure the slide lock at cab rail is secure.

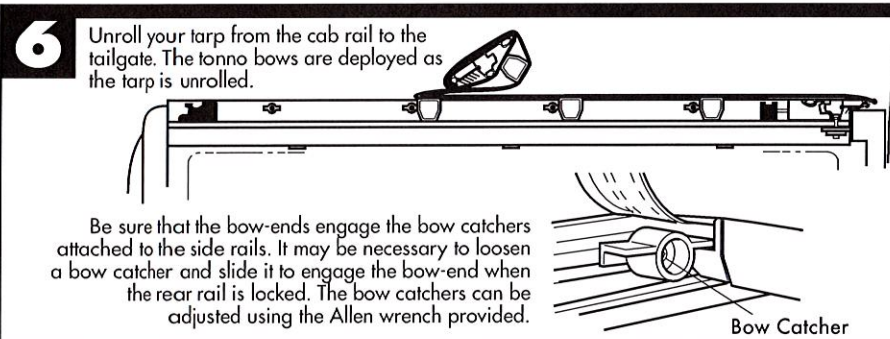


Engage the narrow edge of cab rail against the pivot block. NOTE: Rail will not engage if slide blocks are too far outside the tie straps or are under the rail.

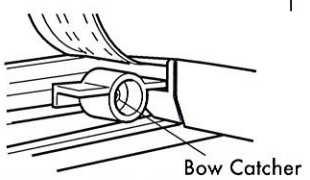


Slide the slide block outward so that it engages the wide flange of the side rail. Secure the knurled knobs to tighten. IF NEEDED, PUSH DOWN ON CAB RAIL TO MOVE SLIDE

6 Unroll your tarp from the cab rail to the tailgate. The tonno bows are deployed as the tarp is unrolled.

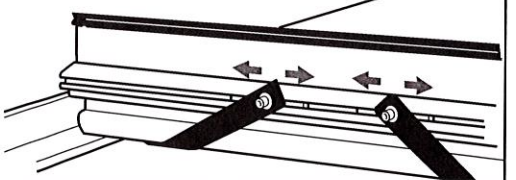


Be sure that the bow-ends engage the bow catchers attached to the side rails. It may be necessary to loosen a bow catcher and slide it to engage the bow-end when the rear rail is locked. The bow catchers can be adjusted using the Allen wrench provided.

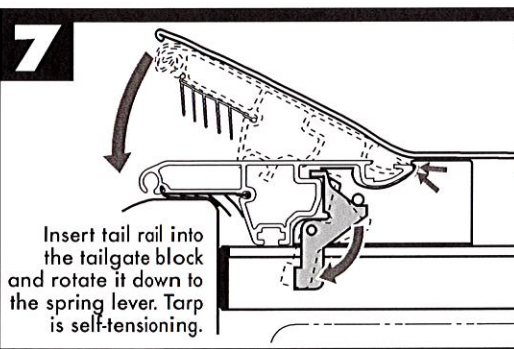


Bow Catcher

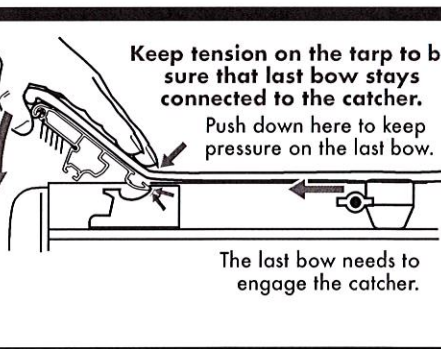
If needed, you can adjust the alignment of the tailgate rail by changing the tailgate strap positions.



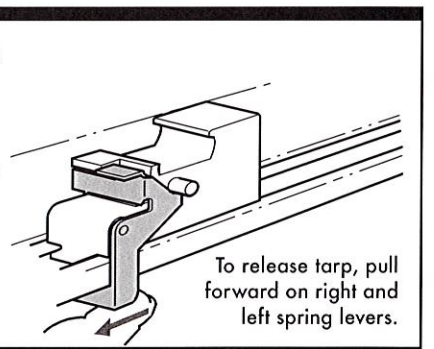
7 Insert tail rail into the tailgate block and rotate it down to the spring lever. Tarp is self-tensioning.



Keep tension on the tarp to be sure that last bow stays connected to the catcher. Push down here to keep pressure on the last bow.

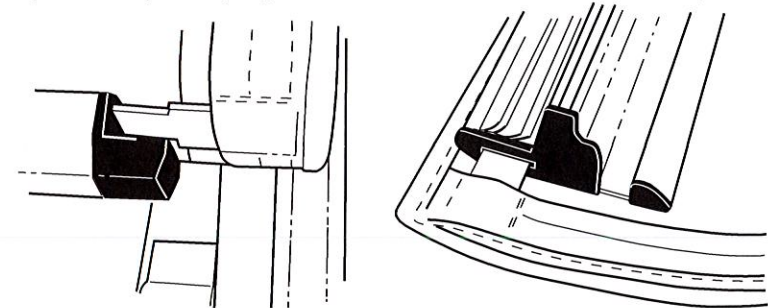


The last bow needs to engage the catcher.



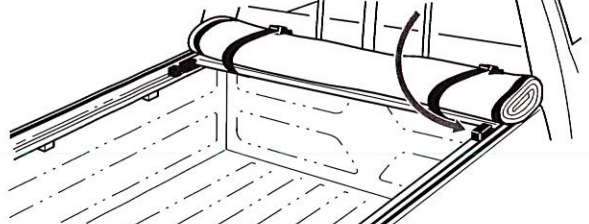
To release tarp, pull forward on right and left spring levers.

Make sure spring-loaded bow ends and rail ends are inserted into the open flaps of the tarp. Bow springs can be retracted to reinsert into the fabric layer.



EASY USE OF TRUCK BED

Tarp may be rolled up and secured with buckle straps for bulk hauling. For more access, tarp can also be removed completely by loosening knurled knobs, retracting slide blocks and pulling the forward catch lever down.

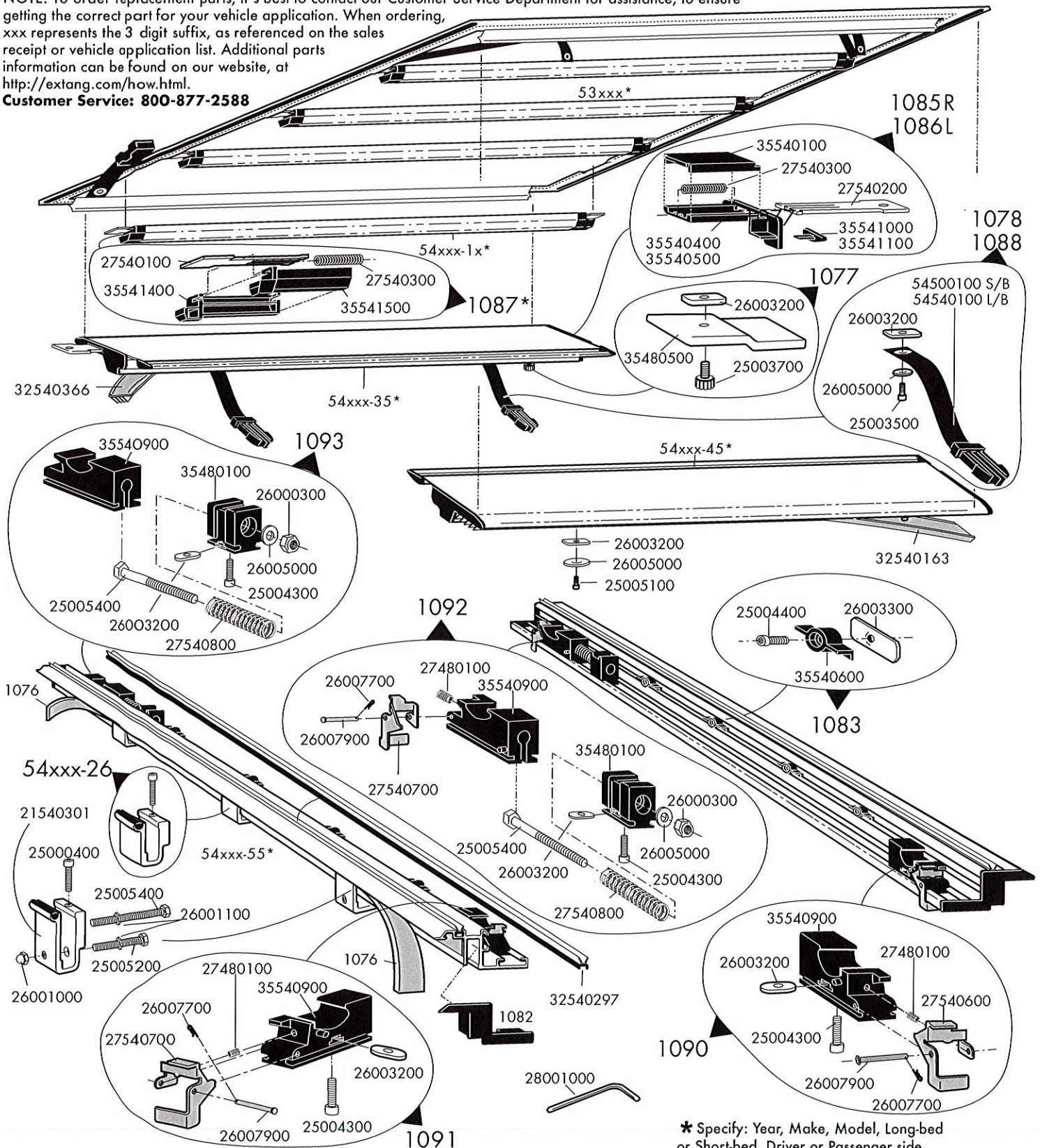


For care instructions see tag on underside of tarp

See Part Descriptions on Back

NOTE: To order replacement parts, it's best to contact our Customer Service Department for assistance, to ensure getting the correct part for your vehicle application. When ordering, xxx represents the 3 digit suffix, as referenced on the sales receipt or vehicle application list. Additional parts information can be found on our website, at <http://extang.com/how.html>.

Customer Service: 800-877-2588



* Specify: Year, Make, Model, Long-bed or Short-bed, Driver or Passenger side.



Parts List

NOTE: To order replacement parts, it's best to contact our Customer Service Department for assistance, to ensure getting the correct part for your vehicle application. When ordering, xxx represents the 3 digit suffix, as referenced on the sales receipt or vehicle application list. Additional parts information can be found on our website, at <http://extang.com/how.html>. **Customer Service: 800-877-2588**

- 53xxx*** Black Replacement Tarp
- 1087*** Bow End Assembly (1)
 - 27540100** Bow End Extender (1)
 - 27540300** Extender Spring (1)
- 35541400** Right Side Tapered Bow Plug (1)
- 35541500** Left Side Tapered Bow Plug (1)
- 54xxx-10*** Cab Bow w/End Caps (1)
- 54xxx-11*** Ctr Bow w/End Caps (1)
- 54xxx-12*** Cab Ctr Bow (L/B only) w/End Caps (1)
- 54xxx-13*** Tail Ctr Bow (L/B only) w/End Caps (1)
- 54xxx-14*** Tail Bow w/End Caps (1)
- 54xxx-26*** Clamp Pack (set of 2)
 - 21540301** Adjusting U-clamp w/hole (1)
 - 25000400** 1/4"-20 x 1" SHCS (1)
 - 25005200** 1/4"-20 x 2.5" Hex (1)
 - 25005400** 1/4"-20 x 4" Hex (1)
 - 26001000** 1/4" Plastic Acorn Nut (1)
 - 26001100** 1/4" Jam Nut (4)
- 54xxx-35*** Cabrail Replacement Assembly
 - 32540366** Cab/Tail Rail Seal (1)
 - 32540363** 68" Black Foam Roll
- 1078** Cabrail Tarp Strap Assembly S/B (1)
- 1088** Cabrail Tarp Strap Assembly L/B (1)
 - 25003500** 1/4"-20x1/2" SHCS (1)
 - 26003200** Weld Nut (1)
 - 26005000** 1/4" Washer (1)
 - 54500100** Strap for S/B (1)
 - 54540100** Strap for L/B (1)
- 1085R** Right Side Cab/Tail Plunger Assembly
- 1085L** Left Side Cab/Tail Plunger Assembly
 - 27540200** Cab/Tail Rail Extender (1)
 - 27540300** Extender Spring (1)
 - 35540100** End Cap Clip (1)
 - 35540400** Right Side Lrg Cab/Tail End Plug (1)
 - 35540500** Left Side Lrg Cab/Tail End Plug (1)
 - 35541000** Right Side Sm Cab/Tail End Plug (1)
 - 35541100** Left Side Sm Cab/Tail End Plug (1)
- 1077** Slide Lock Assembly
 - 25003700** Thumbscrew (1)
 - 26003200** Weld Nut (1)
 - 35480500** Slide Lock (1)
- 54xxx-45** Tail Rail Replacement Assembly
 - 32540163** Tail Rail Seal (1)
- 1085R** Right Side Cab/Tail Plunger Assembly
- 1085L** Left Side Cab/Tail Plunger Assembly
 - 27540200** Cab/Tail Rail Extender (1)
 - 27540300** Extender Spring (1)
 - 35540100** End Cap Clip (1)
 - 35540400** Right Side Lrg Cab/Tail End Plug (1)
 - 35540500** Left Side Lrg Cab/Tail End Plug (1)
 - 35541000** Right Side Sm Cab/Tail End Plug (1)
 - 35541100** Left Side Sm Cab/Tail End Plug (1)

- 54xxx-55*** Side Rail Replacement Assembly (1)
 - 32540297** Siderail Tarp Seal 8'
 - 1076** Siderail Seal 8'
 - 1082** Side Rail End Plugs (2)
- 1083** Bow Clip Assembly
 - 25004400** 1/4"- 20 x 1/4" SHCS (1)
 - 26003300** Weld Nut (1)
 - 35540600** Bow Clip (1)
- 1090** Passenger-side Rear Latch Assembly (1)
 - 25004300** 1/4"- 20 x 5/8" SHCS (1)
 - 26003200** Weld Nut (1)
 - 35540900** Pivot Block (1)
 - 27480100** Latch Spring (1)
 - 26007700** Clevis Hitch Pin (1)
 - 26007900** Clevis Latch Pin (1)
 - 27540600** Latch (1)
- 1091** Driver-side Rear Latch Assembly (1)
 - 25004300** 1/4"- 20 x 5/8" SHCS (1)
 - 26003200** Weld Nut (1)
 - 26007700** Clevis Hitch Pin (1)
 - 26007900** Clevis Latch Pin (1)
 - 27480100** Latch Spring (1)
 - 27540700** Latch (1)
 - 35540900** Pivot Block (1)
- 1092** Passenger-side Front Latch Assembly (1)
 - 25004300** 1/4"- 20 x 5/8" SHCS (1)
 - 25005400** 1/4"- 20 x 4" Hex Head (1)
 - 26000300** 1/4" Nut (1)
 - 26003200** Weld Nut (1)
 - 26007700** Clevis Hitch Pin (1)
 - 26007900** Clevis Latch Pin (1)
 - 27480100** Latch Spring (1)
 - 27540800** Tension Spring (1)
 - 27540700** Latch (1)
 - 35480100** Stanchion (1)
 - 35540900** Pivot Block (1)
- 1093** Driver-side Front Pivot Assembly (1)
 - 25004300** 1/4"- 20 x 5/8" SHCS (1)
 - 25005400** 1/4"- 20 x 4" Hex Head (1)
 - 26000300** 1/4" Nut (1)
 - 26003200** Weld Nut (1)
 - 27540800** Tension Spring (1)
 - 35480100** Stanchion (1)
 - 35540900** Pivot Block (1)

Miscellaneous
28001000 3/16" Hex Key (1)

* Specify: Year, Make, Model, Long-bed or Short-bed, Driver or Passenger side.



Extang Corporation
5400 S. State Rd.
Ann Arbor MI 48108
734-677-0444, Fax: 734-677-8409

Register your warranty at:
extang.com

MAXIMUM STRENGTH WARRANTY

LIFETIME FRAME & TARP

READ CAREFULLY - KEEP IN A SAFE PLACE

PLEASE ATTACH AND SAVE YOUR SALES RECEIPT.
ACTIVATE YOUR WARRANTY ONLINE AT EXTANG.COM.

Maximum Strength Warranty - Lifetime frame and tarp warranty covers the following tonneaus:
Revolution, Express, Trifecta and eMAX.

■ WARRANTY DURATION:

Lifetime Frame – Extang offers a LIFETIME warranty against defective materials or workmanship on the Revolution, Express, Trifecta and eMAX rails, aluminum components, clamps, bows, hardware. **Lifetime Tarp** – Extang offers a LIFETIME warranty against defective materials or workmanship on the Revolution, Express, Trifecta and eMAX vinyl covering.

■ WARRANTY CONDITIONS:

This warranty is against defective materials or workmanship. The warranty is void if the product has been damaged by accident, unreasonable use, neglect, improper service/installation/removal, modifications, normal wear and tear or other causes not arising out of defective materials or workmanship. Consequential and incidental damages are not covered under this warranty.

THE FOLLOWING CONDITIONS WILL ALSO VOID THE WARRANTY:

- **Wind whip damage** - Tarps must be secured at all points when vehicle is in motion. An unsecured tarp will flap, resulting in damage to the fabric.
- **Improper cleaning** - It is recommended to use the tested and approved Extang Tonno Tonic™ or clean with soap and water only. Do not use vinyl conditioners (i.e. Armor All®) because they will shrink the vinyl.
- **Overloading of cargo** - Cargo should not touch the tonneau's tarp at any point. Protrusions in the tarp will stress the fabric. Cargo may shift while traveling and cause it to push against the tarp fabric and damage it.

The warranty applies to the original consumer/purchaser. Warranty registration must be on file and/or proof of original purchase (detailed and dated receipt) required for warranty to be effective. Warranty coverage starts from the date of purchase.

■ PERFORMANCE:

Provided all warranty conditions are met Extang will either repair or replace (at Extang's option) the product or component. Extang may require the original item to be returned postage prepaid for final determination. Extang reserves the right to substitute and offer the respective warranty discount on an entire replacement system or provide other remedies than those listed in this warranty for discontinued products or other reasons. A return authorization number must be obtained from our customer service department prior to returning any product. Shipping charges will apply for any repair or replacement. This warranty gives you specific legal rights and you may also have other legal rights which vary from state to state.



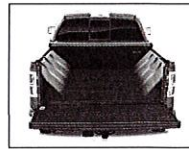
HELPFUL ACCESSORIES

MAXSEAL™ TAILGATE SEAL



The MaxSeal Tailgate Seal creates a tight seal along sides and bottom of your tailgate to keep out dust, rain and snow. Quick and easy to install: just cut, peel and stick.

B-light TONNEAU LIGHTING SYSTEM



B-light, Tonneau Lighting System works well with soft and hard tonneau covers. Contains 8 high-intensity LED units. Simple and easy to install and comes with a 1 year warranty.

Order today, direct from our customer service department:

1-800-877-2588

5400 S. STATE ROAD, ANN ARBOR, MI 48108
VOICE: 734-677-0444 or 800-877-2588
FAX: 734-677-8409 EMAIL: info@extang.com
WEB SITE: extang.com

extang

Item No. 0030-11.13RRE
Printed in U.S.A.

SAVE GAS, YOUR EXTANG TONNEAU MAY PAY FOR ITSELF!

DID YOU KNOW?

EXTANG TONNEAUS MAY IMPROVE GAS MILEAGE UP TO 10%



HERE'S HOW:

There are conservatively 850,000 Extang Tonneaus on the road everyday and based on the average gas savings, Extang tonneaus save America 102 million gallons of gas per year or approximately \$382,500,000.

Studies show the average truck owner drives 18,000 miles per year. At 15 mpg that comes to 1,200 gallons of gas. At a minimum 10% savings you would save around 120 gallons of gas a year. You can see why it would not take too many months to have your new tonneau pay for itself.

"...adding a tonneau could mean an improvement in fuel mileage that is the equivalent of a free gallon of gas for every 20 gallons used."

- Auto Trim & Restyling News, August 2001

MILES DRIVEN PER YEAR	MPG	AVERAGE GAS COST	ANNUAL GAS SAVINGS	ANNUAL COST SAVINGS	3 YEARS COST SAVINGS	5 YEARS COST SAVINGS	MONTHS FOR TONNO PAY BACK
12,000	15	\$3.75	80 gal.	\$300	\$900	\$1,500	12
15,000	15	\$3.75	100 gal.	\$375	\$1,125	\$1,875	9
18,000	15	\$3.75	120 gal.	\$450	\$1,350	\$2,250	8
20,000	15	\$3.75	133 gal.	\$498	\$1,494	\$2,490	7
22,000	15	\$3.75	146gal.	\$547	\$1,641	\$2,735	6

Results are based on an estimated tonneau price of \$300.00 and rounded to the nearest whole number.

Savings may vary and are not guaranteed.

SOMETHING DAMAGED? MISSING PARTS?

CALL US FIRST

800-877-2588

WE CAN HELP YOU QUICKLY AND EASILY OVER THE PHONE



Experienced Customer Service staff
to answer all your tonneau questions

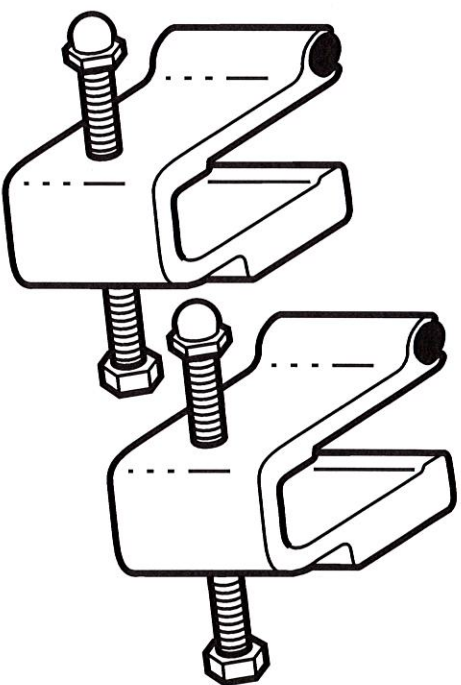
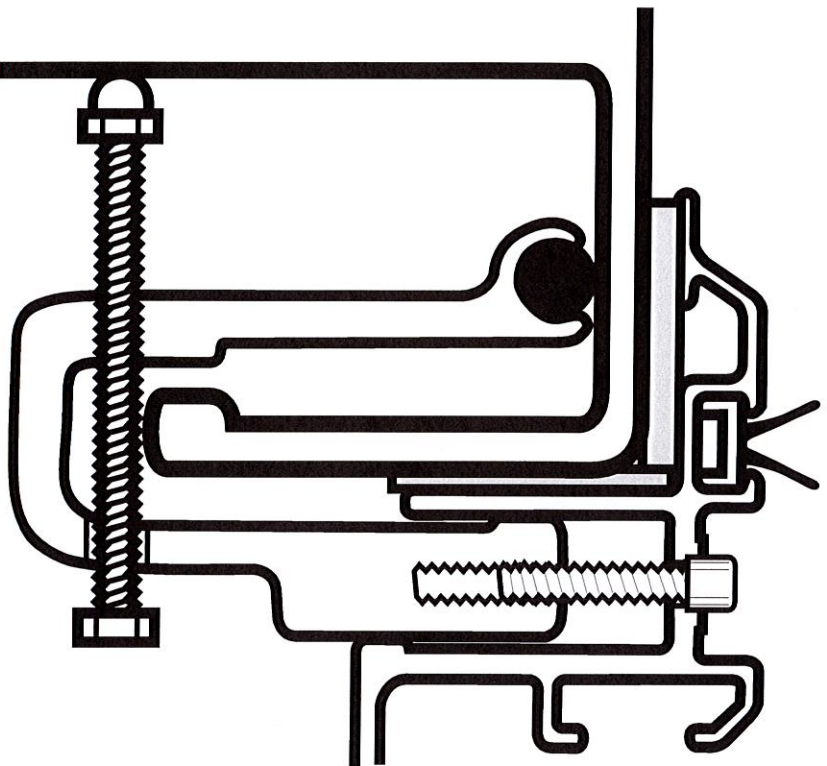
CUSTOMER SERVICE HOURS:
8:30 TO 5 EST, MONDAY - FRIDAY

Tonno Model: _____
Purchase Date: _____
Lot Code: _____
<small>Lot code can be found on underside of cover.</small>

extang
AMERICA'S #1
SELLING TONNEAU

MPPORTANT

HARDWARE KIT INCLUDES 2 SPECIALLY DESIGNED ADJUSTABLE CLAMPS.



- Rear clamps are adjustable to keep tail end of side rail square to bed. Use shortest bolt that engages sidewall.
- See Step 4 of installation instructions for clamp placement.

PART# 0206

Revolution
BY EXTANG