

# INSTALLATION INSTRUCTIONS

BRACKET	OVAL SIDE BAR WIDESIDER 4"	WHEEL TO WHEEL WIDESIDER 4"	RUNNING BOARD WIDESIDER 5" & 6"	APPLICATION	MODEL
392245 6840995	394223	394319	39080	Dodge Ram 1500(USA) 2500(MEX) Quad Cab	09 - 15
	394020	394320	39087	Dodge Ram 1500 (USA) 2500 (MEX) Crew Cab	09 - 15
	394005	-	-	Dodge Ram 2500HD/3500HD Mega Cab	2010
	64099 / 67099	-	680080	Dodge Ram 1500 Quad Cab	09 - 15
	64106 / 67106	-	680087	Dodge Ram 1500 Crew Cab	09 - 15
	64107 / 67107	-	-	Dodge Ram 2500HD/3500HD Mega Cab	2010

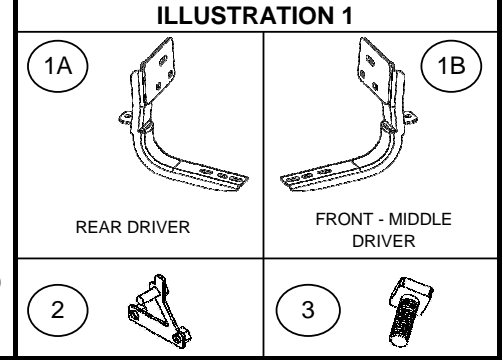
**Parts List:**

ITEM	QTY.	CODE	DESCRIPTION	TORQUE
1	3	3912240AB	Brackets set ( Front & Middle & Rear )	-
2	6	372240BA	T Plate	30 Lb.Ft
<b>KTE-392245B Hardware kit including:</b>				
3	12	-	5/16" Square head bolt	11 Lb.Ft
4	12	-	5/16" Flat washer	-
5	12	-	5/16" Lock washer	-
6	12	-	5/16" Hex nut	11 Lb.Ft
7	12	-	3/8 x 1" Hex. Head bolt	30 Lb.Ft
8	18	-	3/8" Flat washer	-
9	18	-	3/8" Lock washer	-
10	6	-	3/8 x 1" Hex. Head bolt	30 Lb.Ft
11	6	-	Vinyl gasket	-
12	4	-	M8 x 25mm Hex head bolt	30 Lb.Ft
13	1	-	Oval side bar widesider 4"	-

**NOTE:** 394223(9-66) - 394020(9-66) - 394005(9-66) - 394319(6-9) - 394320(6-9) / 64099 & 67099 (B-C-PS-SB) - 64106 & 67106 (B-C-PS-SB) - 64107 & 67107 (B-C-PS-SB) INCLUDES:

**Tools required not including:**

DESCRIPTION	QTY
13mm & 1/2" & 9/16" Hex Socket	1
17mm Double hex socket ( 12 point ) or 15mm Wrench	1
Ratchet	1
Extension ratchet	1

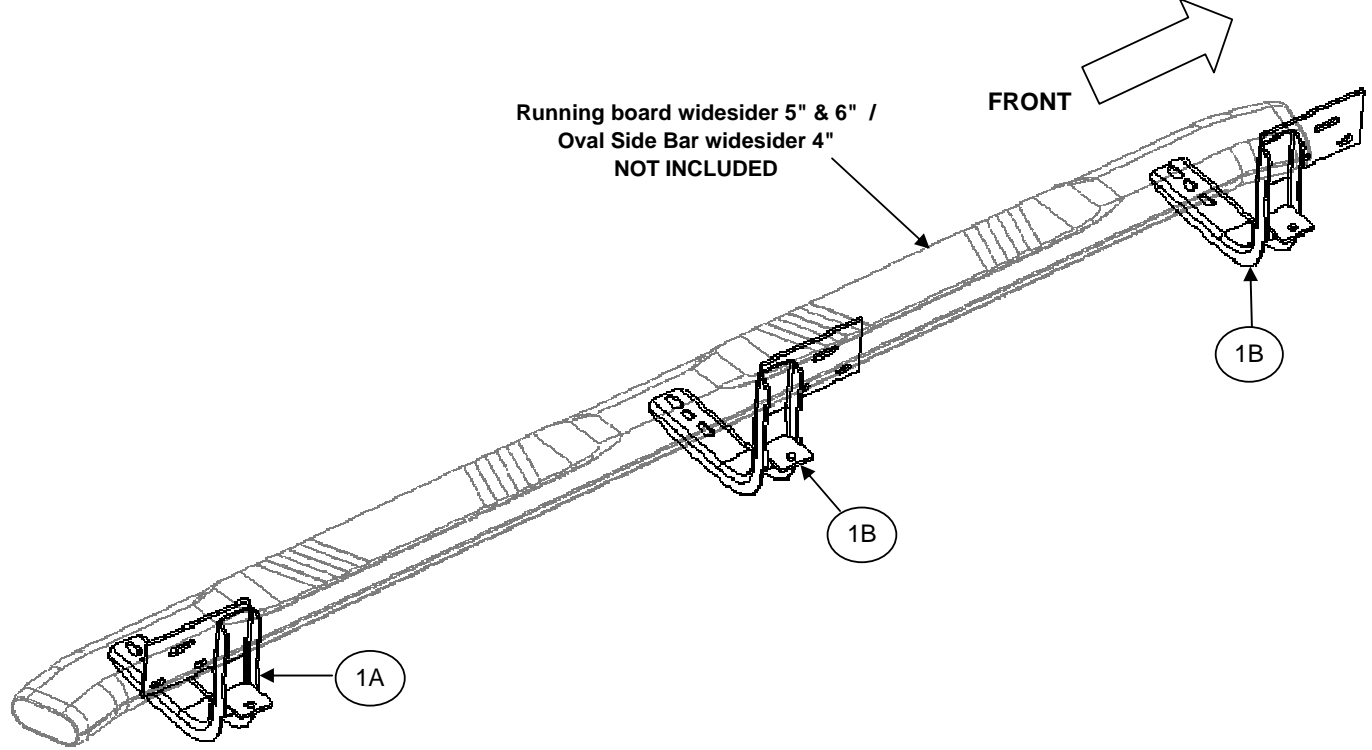


**Instructions:**

**Approximated installation time: 30 min.**

1. Before beginning the installation read all instructions thoroughly and verify that all hardware is accounted for. If there are any listed parts missing, please notify your distributor immediately.

**ILLUSTRATION 2**



**Cleaning and care instructions:** Protect the finish with a non-abrasive automotive wax, (e.g. Pure Carnauba) on a regular basis. The use of any soap, polish, or wax that contains an abrasive is detrimental to the finish, as the compounds scratch the finish and cause corrosion.

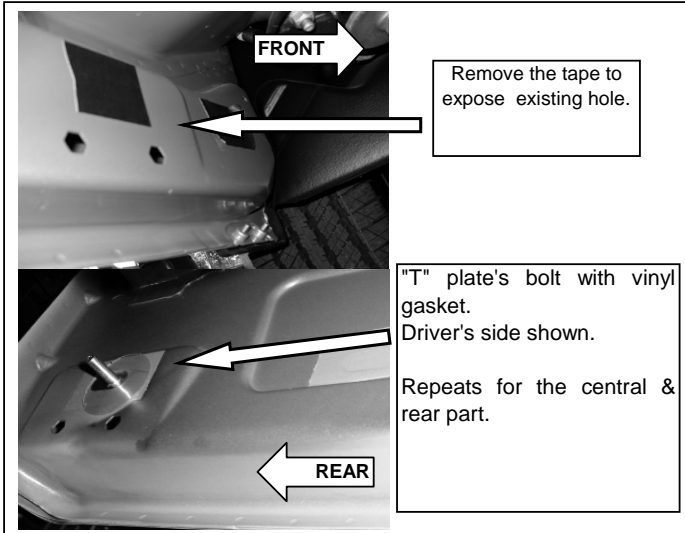
Design:  Quality:

# INSTALLATION INSTRUCTIONS

2. To install front, middle and rear mounting brackets locate in the rocker panel the holes covered in tape and remove the tape. Place one vinyl gasket to the bolt of the "T" plate then insert into the exposed hole. **SEE PICTURE 1.**

**NOTE 1:** It is important to place vinyl gaskets to the bolts to prevent the "T" plate from falling into the rocker panel.

**PICTURE 1**



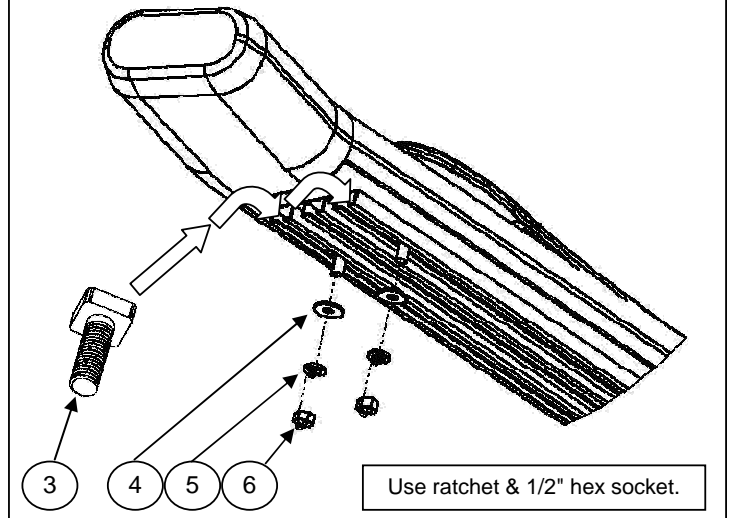
4. Place the rear bracket and attach of the same form that front and middle bracket. **SEE ILLUSTRATION 3.** Leave loose.

Repeat in opposite side.

5. If you acquired a Running board widesider 5" & 6", insert 5/16" square head bolt on rail, place on brackets and attach with: 5/16" Flat and lock washer, 5/16" hex nut. **SEE ILLUSTRATION 4.** Repeat for the opposite side. Leave loose.

**ILLUSTRATION 4**

**RUNNING BOARD WIDESIDER 5" & 6" INSTALLATION**

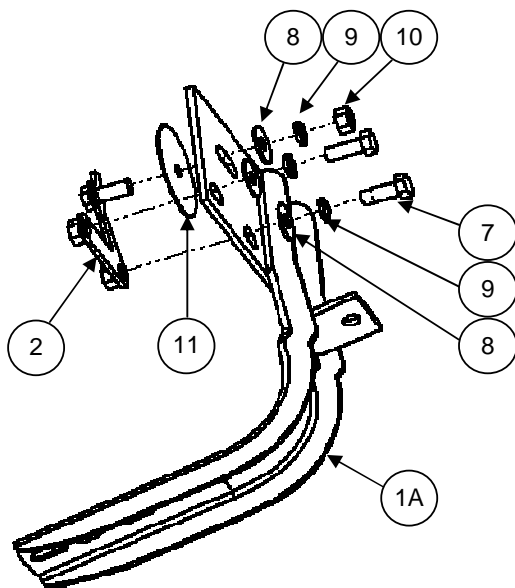


**NOTE:** If the vehicle model has two threaded holes in the lower part, attach with: 3/8" flat and lock washer, M8 x 25mm hex head bolt. By each threaded hole.

3. Place the front and middle bracket and attach to the bolt of the plate that it placed in the panel of the vehicle with: 3/8" flat and lock washers, 3/8" hex nut.

And to the nuts of the T plate with: 3/8 x 1" hex head bolt, 3/8" flat and lock washer. **SEE ILLUSTRATION 3.** Leave loose.

**ILLUSTRATION 3**



Use ratchet & 9/16" hex socket.

6. If you acquired a Oval side bar widesider 4", place on brackets and attach with: 5/16" square head bolt, 5/16" Flat and lock washer. **SEE ILLUSTRATION 5.** Repeat for the opposite side. Leave loose.

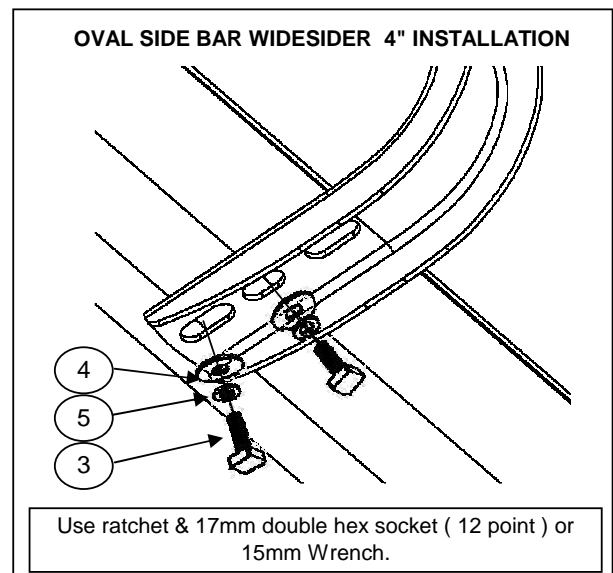
7. Align Running board widesider 5" & 6" or Oval side bar widesider 4" and then tighten all bolts.

8. Periodically check your product because it may need a re-tighten of bolts.

9. Fill the warranty card and place it inside your vehicle's glove box.

**ILLUSTRATION 5**

**OVAL SIDE BAR WIDESIDER 4" INSTALLATION**



Use ratchet & 17mm double hex socket ( 12 point ) or 15mm Wrench.

**Cleaning and care instructions:**

Protect the finish with a non-abrasive automotive wax, (e.g. Pure Carnauba) on a regular basis. The use of any soap, polish, or wax that contains an abrasive is detrimental to the finish, as the compounds scratch the finish and cause corrosion.

Design:

Quality: