

## INSTALLATION INSTRUCTIONS

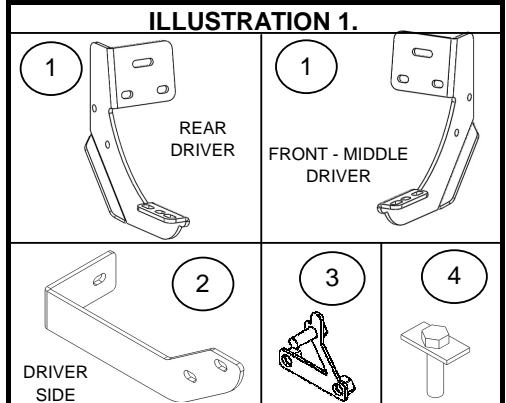
BRACKET	WIDESIDER BAR 4"	WTW 4"	RUNNING BOARD 5" & 6"	MODEL	YEAR
393255	-	641148	-	Dodge Ram 2500HD/3500HD Crew Cab	10 - 13

**Parts List:**

ITEM	QTY.	CODE	DESCRIPTION	TORQUE
1	3	392244AC	Set brackets	-
2	1	372244CA	Auxiliary rear brackets set	-
3	6	372240BA	T Plate	30 Lb/Ft
4	2		3/8" T Bolt	30 Lb/Ft
<b>KTE-393255 Hardware kit including:</b>				
5	12	-	5/16" Square head bolt	11 Lb/t
6	12	-	5/16" Flat washer	-
7	12	-	5/16" Lock washer	-
8	12	-	5/16" Hex nut	11 Lb/t
9	16	-	3/8 x 1" Hex. Head bolt	30 Lb/Ft
10	24	-	3/8" Flat washer	-
11	24	-	3/8" Lock washer	-
12	12	-	3/8" Hex nut	30 Lb/Ft
13	8	-	Vinyl gasket	-
14	1		Oval 4" Sidebar Set	-

**Tools required not including:**

DESCRIPTION	QTY
1/2" Socket / Wrench	1
9/16" Socket / Wrench	1
Ratchet	1
Extension ratchet	1

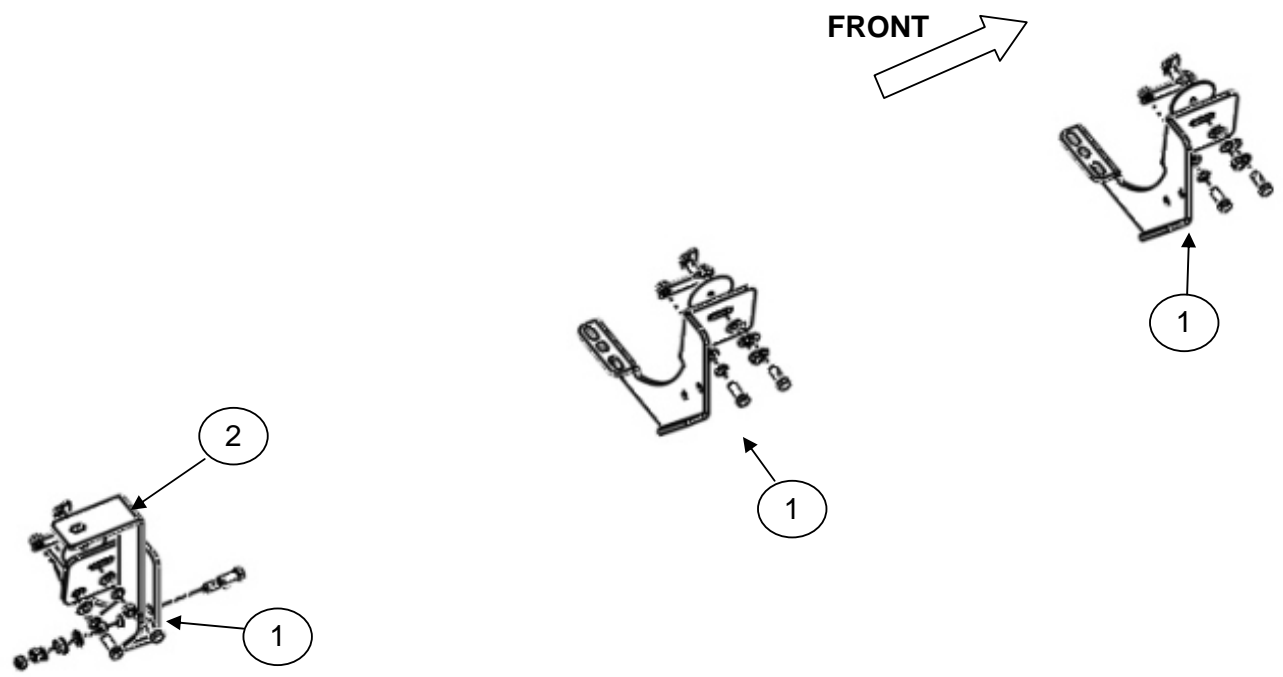


**Instructions:**

**Approximated installation time: 30 min.**

1. Before beginning the installation read all instructions throughly and verify that all hardware is accounted for. If there are any listed parts missing, please notify your distributor immediately.

**ILLUSTRATION 2.**



**Illustration brackets of driver side.**

**Cleaning and care instructions:**

Protect the finish with a non-abrasive automotive wax, (e.g. Pure Carnauba) on a regular basis. The use of any soap, polish, or wax that contains an abrasive is detrimental to the finish, as the compounds scratch the finish and cause corrosion.

Design:

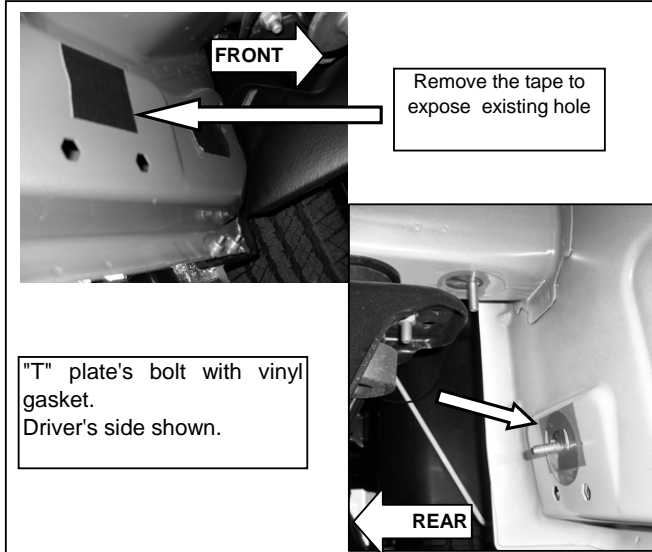
Quality:

## INSTALLATION INSTRUCTIONS

2. To install front, middle and rear mounting brackets locate in the rocker panel the holes covered in tape and remove the tape. Place ( 1 ) vinyl gasket to the bolt of the "T" plate then insert into the exposed hole. **See picture 1.**

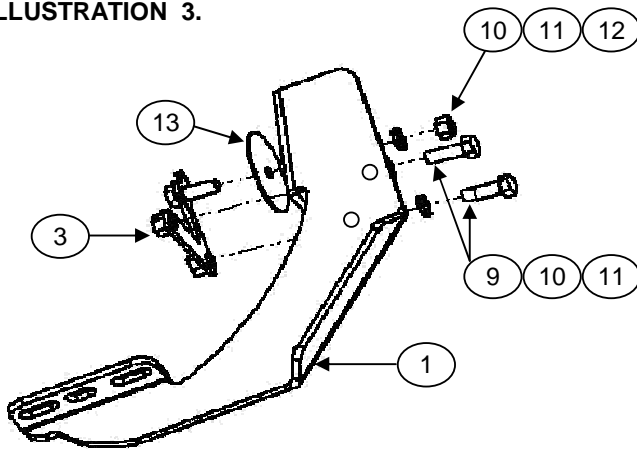
**NOTE:** It is important to place vinyl gaskets to the bolts to prevent the "T" plate from falling into the rocker panel.

**PICTURE 1**



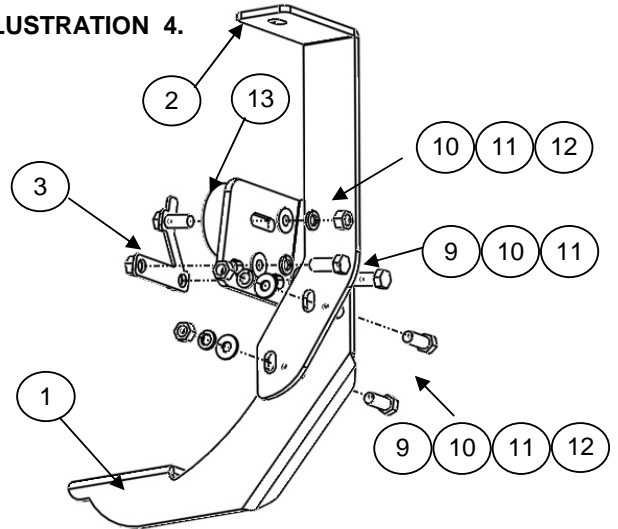
3. Place the front, middle and rear brackets and attach to the bolt of "T" plate previously placed into the panel of the vehicle with: ( 1 ) 3/8" flat and lock washers, ( 1 ) 3/8" hex nut. Secure to the nuts of "T" plate with: (2) 3/8 x 1" hex head bolt, ( 2 ) 3/8" flat and lock washer. **See illustration 3.** Leave loose.

**ILLUSTRATION 3.**



4. To install auxiliary rear mounting bracket, locate existing square hole in the underside of the body See Picture 1. Introduce (1) 3/8" "T" bolt with a vinyl gasket then place rear auxiliary mounting bracket and secure to the bolt previously placed using (1) 3/8" flat and lock washers and 3/8" hex nut. Secure the other end to the rear mounting bracket using (2) 3/8 x 1" hex head bolt, (2) 3/8" flat and lock washers and (2) 3/8" hex nut. Leave loose. Illustration 4.

**ILLUSTRATION 4.**



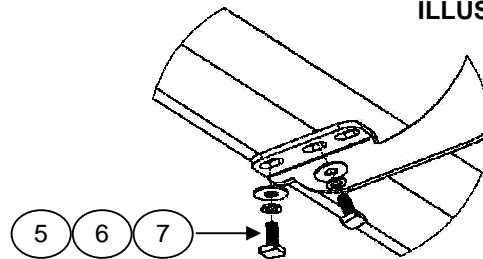
5. Place the side bar on the brackets secure with: ( 2 ) 5/16" flat and lock washers, ( 2 ) 5/16" hex. nut by each bracket. Align Side bar, and tighten all bolts. Illustration 6. Repeat the steps to install the opposite side (Passenger side).

6. Do not use abrasive substances to clean your product.

7. Periodically check your product because it may need a re-tighten of bolts.

8. Fill out the warranty card and place it inside your vehicle's glove box.

**ILLUSTRATION 5.**



**Cleaning and care instructions:**

Protect the finish with a non-abrasive automotive wax, (e.g. Pure Carnauba) on a regular basis. The use of any soap, polish, or wax that contains an abrasive is detrimental to the finish, as the compounds scratch the finish and cause corrosion.

Design:

Quality: