

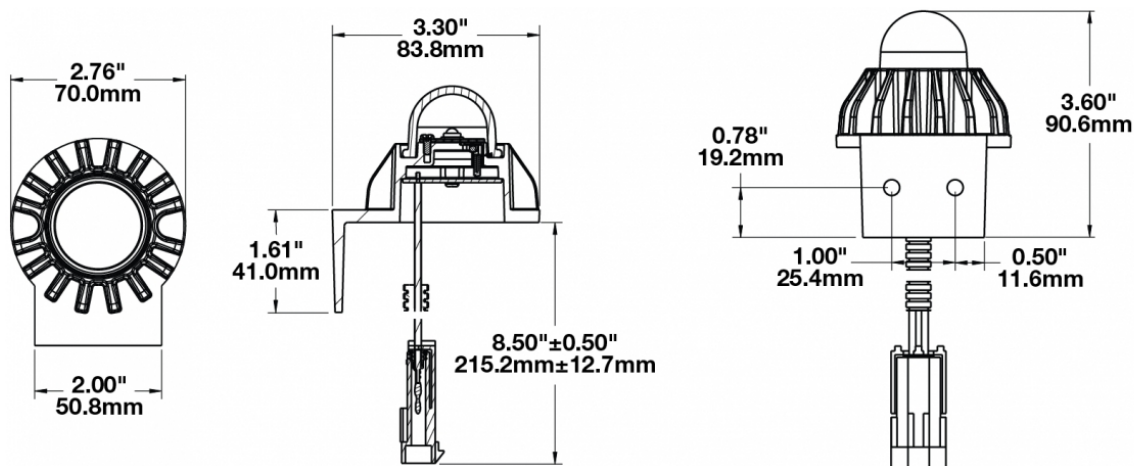
LED Interior Light - Model 408

PRODUCT INFORMATION

Description	75V LED Engine Compartment Light with Mounting Bracket
Height	83.00 mm / 3.27 in
Width	70.00 mm / 2.76 in
Depth	90.60 mm / 3.57 in
Shape	Round
Outer Lens Material	Glass
Outer Lens Color	Clear
Housing Material	Die-Cast Aluminum
Housing Color	Black
Mounting Type	Universal Mount
Minimum Operating Temperature	-40 °C / -40 °F
Maximum Operating Temperature	65 °C / 149 °F
Connector or Wiring	PE 12010973
Mating Connector	PE 12015792
Product Weight	0.39 lbs / 0.18 kgs
Shipping Weight	0.50 lbs / 0.23 kgs



PRODUCT DIMENSIONS



Print date: 2020-04-24

© 2020 J.W. Speaker Corporation • Germantown, WI U.S.A.
www.jwspeaker.com • speaker@jwspeaker.com • 262.251.6660

J.W. SPEAKER
 Engineered. Lighting. Solutions.

LED Interior Light - Model 408

ELECTRICAL SPECIFICATIONS

Input Voltage	75V DC
Operating Voltage	50-90V DC
Red Wire	Power
Black Wire	Ground
Current Draw	60mA MaxA @ 75V DC

REGULATORY STANDARDS COMPLIANCE



Buy America Standards	CISPR 25
Eco Friendly	IEC IP67
SAE J1113-13	SAE J1113-21
SAE J1113-4	SAE J575
Tested to ECE Reg. 10 (Radiated Emissions only)	

PHOTOMETRIC SPECIFICATIONS

Beam Pattern(s)	Interior - Compartment Light
------------------------	------------------------------

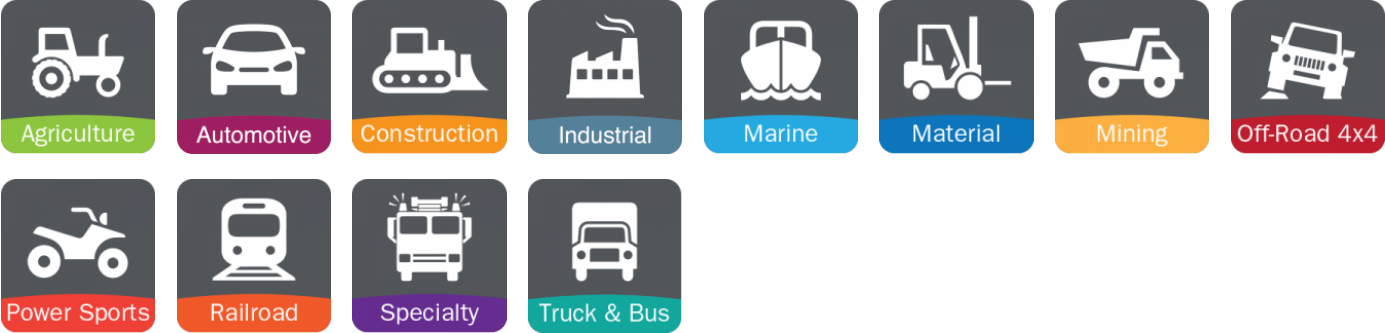
Print date: 2020-04-24

© 2020 J.W. Speaker Corporation • Germantown, WI U.S.A.
www.jwspeaker.com • speaker@jwspeaker.com • 262.251.6660

J.W. SPEAKER 
Engineered. Lighting. Solutions.

LED Interior Light - Model 408

APPLICATIONS



PRODUCT WARNINGS

For California residents:

- ⚠ **WARNING:** Cancer and reproductive harm - www.P65Warnings.ca.gov.
- ⚠ **AVERTISSEMENT:** Cancer et effet nocif sur la reproduction - www.P65Warnings.ca.gov.

RELATED PRODUCTS



Part Number
0442501
12-24V LED Engine
Compartment Light
with Mounting Bracket



Part Number
0442541
12-24V LED Engine
Compartment Light
without Mounting
Bracket