

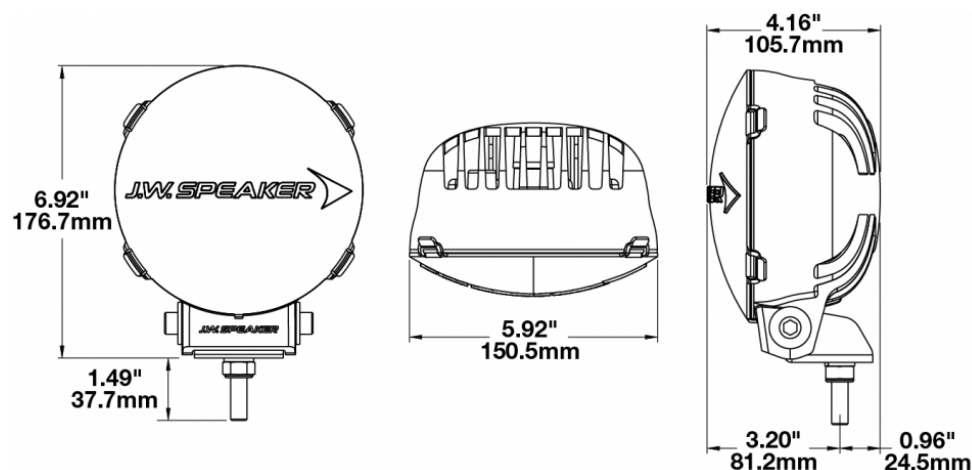
# LED Auxiliary Light - Model TS3001R

## PRODUCT INFORMATION

<b>Description</b>	12-24V DOT LED Auxiliary Light with Driving Beam - 2 Light Kit
<b>Height</b>	172.72 mm / 6.8 in
<b>Width</b>	152.40 mm / 6 in
<b>Depth</b>	104.14 mm / 4.1 in
<b>Shape</b>	Round
<b>Outer Lens Material</b>	Polycarbonate
<b>Outer Lens Color</b>	Clear
<b>Housing Material</b>	Xenoy
<b>Housing Color</b>	Black
<b>Mounting Hardware Description</b>	(x1) 3/8-16 x 1.5" Stainless Steel Screws
<b>Mounting Type</b>	Bracket
<b>Connector or Wiring</b>	Integral Deutsch DT04-2P
<b>Mating Connector</b>	DT06-2S
<b>Product Weight</b>	2.03 lbs / 0.92 kgs
<b>Shipping Weight</b>	4.06 lbs / 1.84 kgs



## PRODUCT DIMENSIONS



Print date: 2020-04-24

© 2020 J.W. Speaker Corporation • Germantown, WI U.S.A.  
[www.jwspeaker.com](http://www.jwspeaker.com) • [speaker@jwspeaker.com](mailto:speaker@jwspeaker.com) • 262.251.6660

**J.W. SPEAKER**   
 Engineered. Lighting. Solutions.

# LED Auxiliary Light - Model TS3001R

## ELECTRICAL SPECIFICATIONS

<b>Input Voltage</b>	12-24V DC
<b>Operating Voltage</b>	9-32V DC
<b>Red Wire</b>	Positive
<b>Black Wire</b>	Negative
<b>Current Draw</b>	1.15A @ 12V DC (Standard) 0.60A @ 24V DC (Standard) 2.15A @ 12V DC (Jeep) 1.00A @ 24V DC (Jeep)

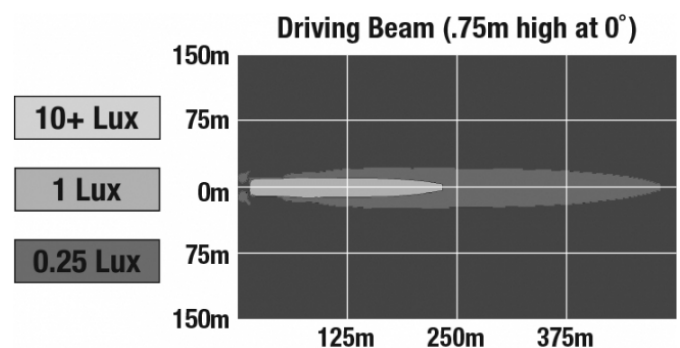
## REGULATORY STANDARDS COMPLIANCE



Buy America Standards      Eco Friendly  
FMVSS 108 s10.1 (Table XVIII)      IEC IP67

## PHOTOMETRIC SPECIFICATIONS

<b>Raw Lumen Output</b>	1,960
<b>Effective Lumen Output</b>	1,080
<b>Candela Output</b>	55,000
<b>Beam Pattern(s)</b>	Forward Lighting - Driving

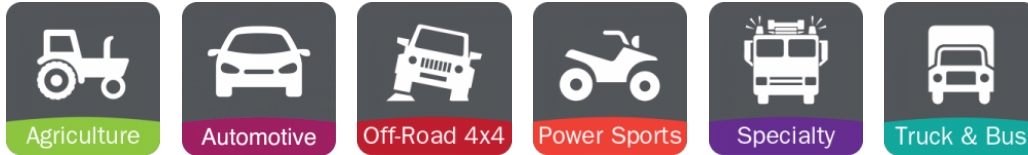


Print date: 2020-04-24

© 2020 J.W. Speaker Corporation • Germantown, WI U.S.A.  
www.jwspeaker.com • speaker@jwspeaker.com • 262.251.6660

# LED Auxiliary Light - Model TS3001R

## APPLICATIONS



## PRODUCT WARNINGS

For California residents:

⚠ **WARNING:** Cancer and reproductive harm - [www.P65Warnings.ca.gov](http://www.P65Warnings.ca.gov).

⚠ **AVERTISSEMENT:** Cancer et effet nocif sur la reproduction - [www.P65Warnings.ca.gov](http://www.P65Warnings.ca.gov).

## ACCESSORIES



**Part Number**  
**5874271**

Clear Replacement  
Lens Cover for Model  
TS3001R



**Part Number**  
**5874281**

Amber Replacement  
Lens Cover for Model  
TS3001R



**Part Number**  
**5874291**

Red Replacement Lens  
Cover for Model  
TS3001R



**Part Number**  
**5874301**

Blue Replacement  
Lens Cover for Model  
TS3001R



**Part Number**  
**6149203**

A-Pillar Mounting Kit  
for Jeep JK



**Part Number**  
**6149233**

A-Pillar Mounting Kit  
for Jeep TJ

Print date: 2020-04-24

© 2020 J.W. Speaker Corporation • Germantown, WI U.S.A.  
[www.jwspeaker.com](http://www.jwspeaker.com) • [speaker@jwspeaker.com](mailto:speaker@jwspeaker.com) • 262.251.6660

**J.W. SPEAKER**®  
Engineered. Lighting. Solutions.

# LED Auxiliary Light - Model TS3001R

## RELATED PRODUCTS

---



**Part Number**  
**0550441**  
12-24V DOT LED  
Auxiliary Light with  
Driving Beam - 1 Light



**Part Number**  
**0550461**  
12-24V ECE LED  
Auxiliary Light with  
Driving Beam - 1 Light



**Part Number**  
**0550463**  
12-24V ECE LED  
Auxiliary Light with  
Driving Beam - 2 Light  
Kit



**Part Number**  
**0550481**  
12-24V LED Auxiliary  
Light with Pencil Beam  
- 1 Light



**Part Number**  
**0550483**  
12-24V LED Auxiliary  
Light with Pencil Beam  
- 2 Light Kit