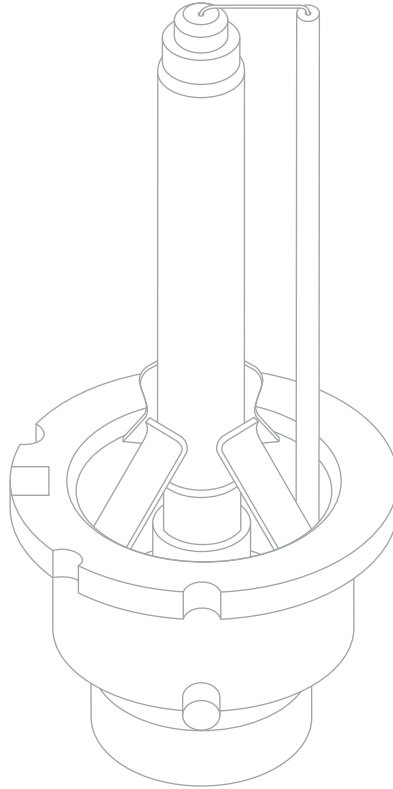




THE RETROFIT SOURCE

Innovative Headlight Upgrades



INSTALLATION GUIDE

OEM D-SERIES BULBS



WARNING: By reading this document, I agree it is only to be used as an educational guide. The Retrofit Source makes no guarantee on any finished results, nor are they to be held responsible for any damage, misuse, or personal injuries. Use at your own risk. If you are unable to clearly understand and adapt the information below to your own application, professional installation is recommended.

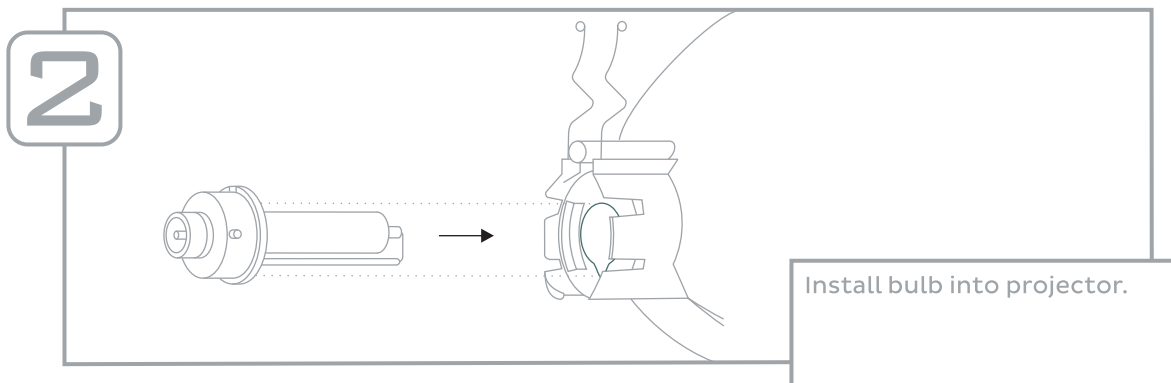
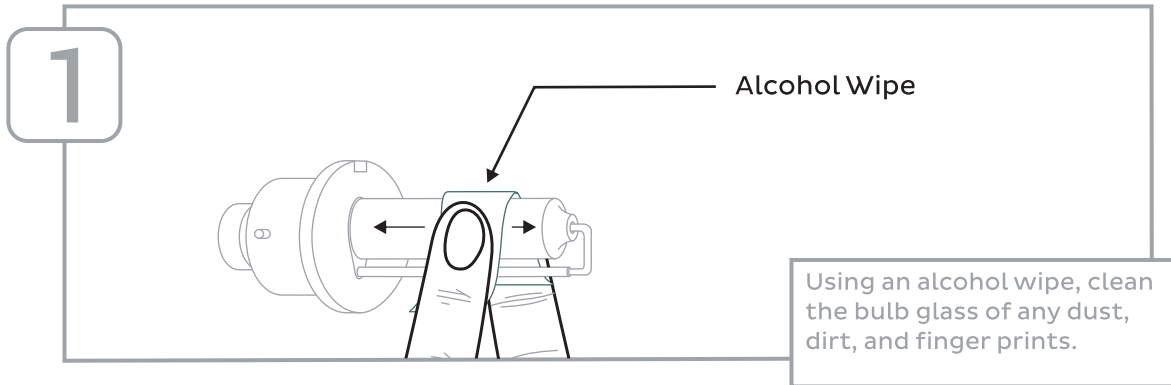


CAUTION: HOT!

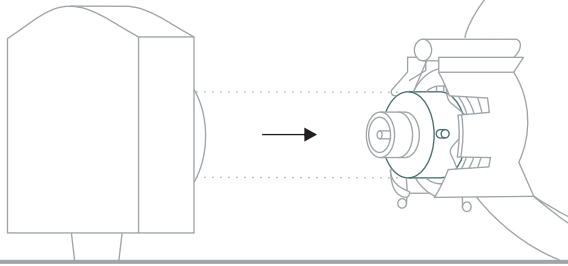


HANDLE ONLY WITH
BLACK PLASTIC BASE

STEP BY STEP

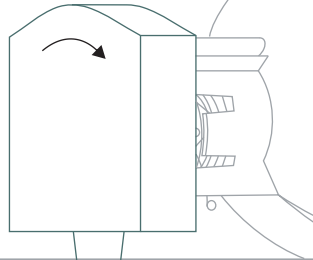


3



Line up slots in igniter with the tabs on the D2S bulb and slide the igniter on to the bulb.

4



With the igniter pressed fully on to the bulb, turn the igniter clockwise and lock the igniter on to the bulb. You will feel a "click" upon doing this.

-END-