

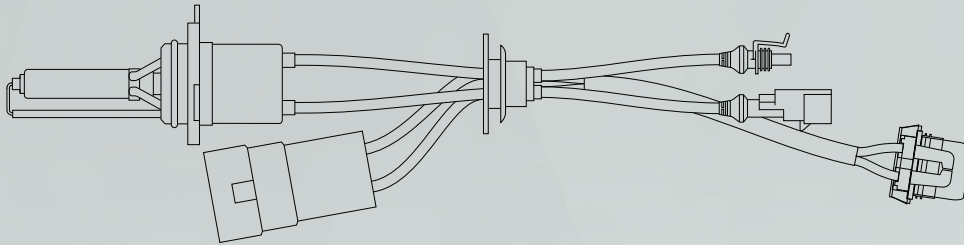


THE AUTOMOTIVE LIGHTING BENCHMARK

# H-SERIES HID BULBS INSTALL GUIDE

**WARNING:** By reading this document, you agree it is only to be used as an educational guide. Morimoto Lighting nor its dealers make guarantees on any finished results, nor are they to be held responsible for any damage, misuse, or personal injuries. If you are unable to clearly understand and adapt the information below, professional installation is recommended.

## PACKAGE CONTENTS



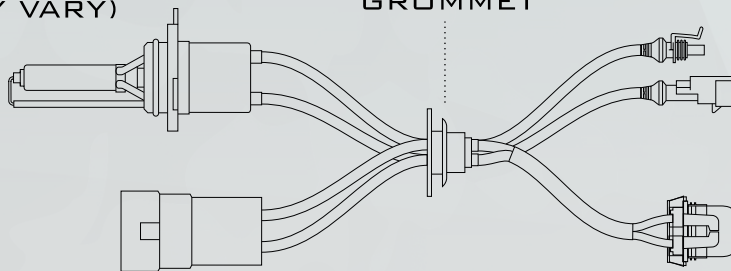
1 X XB HID BULB  
(STYLE MAY VARY)

## COMPONENT IDENTIFICATION

XB HID BULB  
(STYLE MAY VARY)

PASS-THROUGH  
GROMMET

AMP BALLAST  
CONNECTIONS



TO FACTORY OUTPUT  
(INTERNALLY-WIRED  
HEADLIGHTS ONLY)

HARNES INPUT  
(INTERNALLY-WIRED  
HEADLIGHTS ONLY)



Caution: HOT!



Handle only with black plastic base



NOTE: Be mindful that there are two types of installations with H-Series bulbs: EXTERNALLY and INTERNALLY wired. The installation guides that follow will cover both types.

### EXTERNALLY-WIRED

You can access the bulb from the back of the headlight without removing any caps or covers. Wiring for the bulb is visible and accessible outside of the housing.

INSTRUCTIONS START BELOW

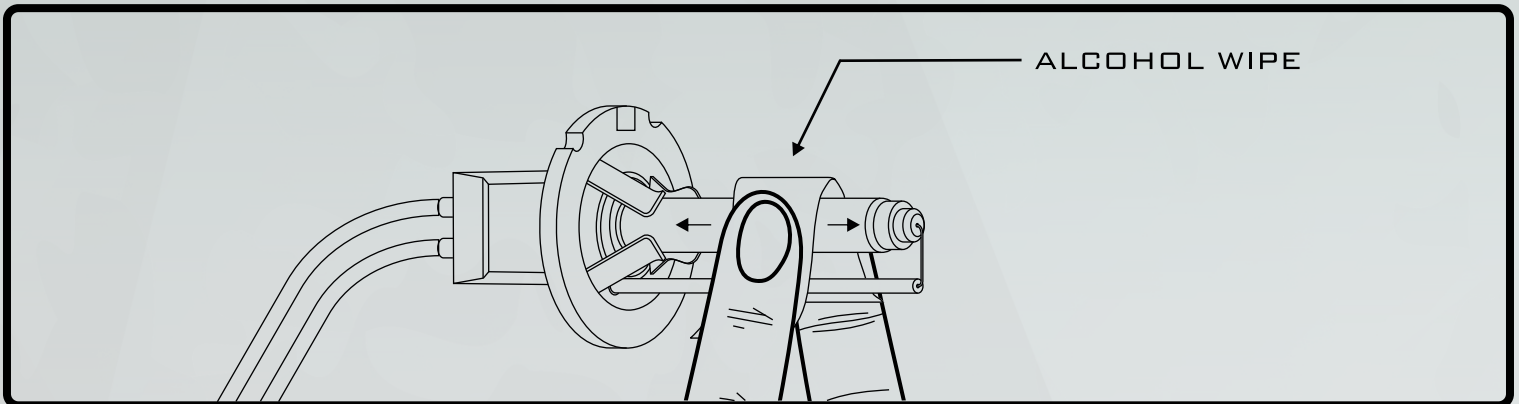
### INTERNALLY-WIRED

You must first remove a cap (generally plastic) to access the bulb. Inside the housing, there is wiring going to the bulb.

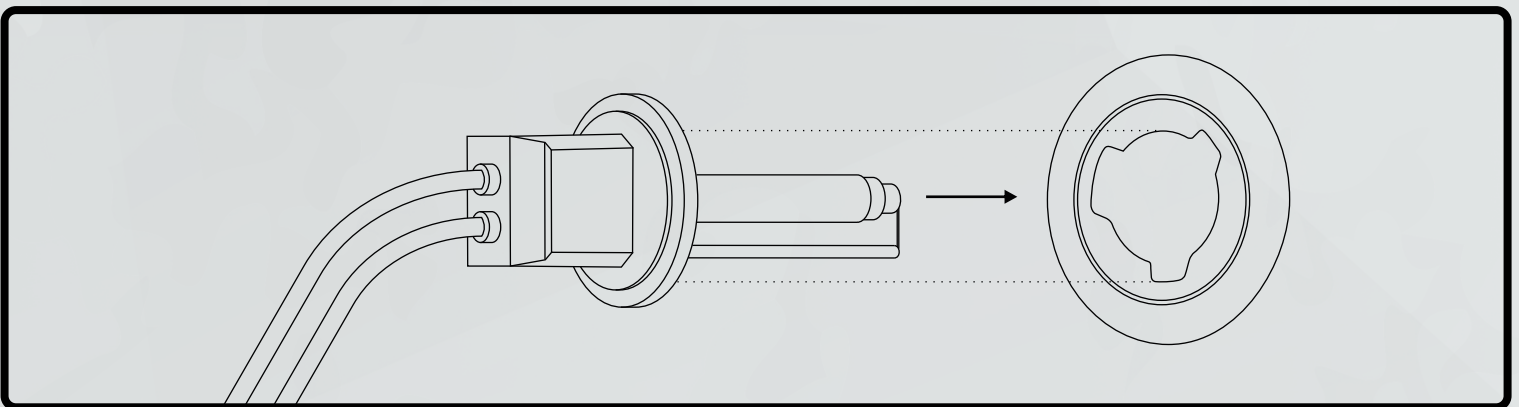
INSTRUCTIONS START ON PAGE 3

## INSTALL PROCESS - EXTERNALLY-WIRED

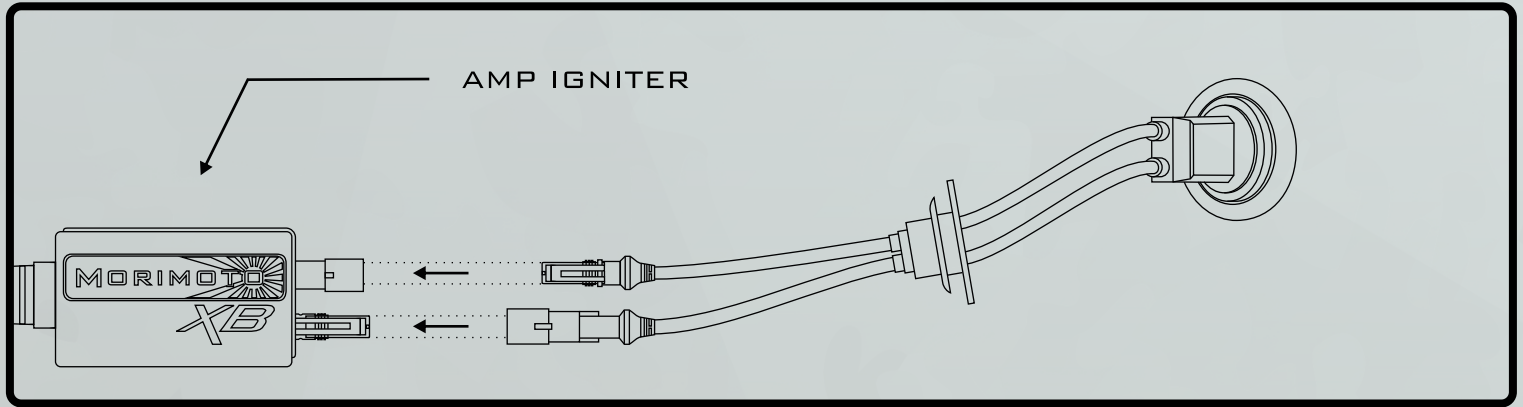
Using an alcohol wipe, clean the bulb glass of any dust, dirt, or finger prints.



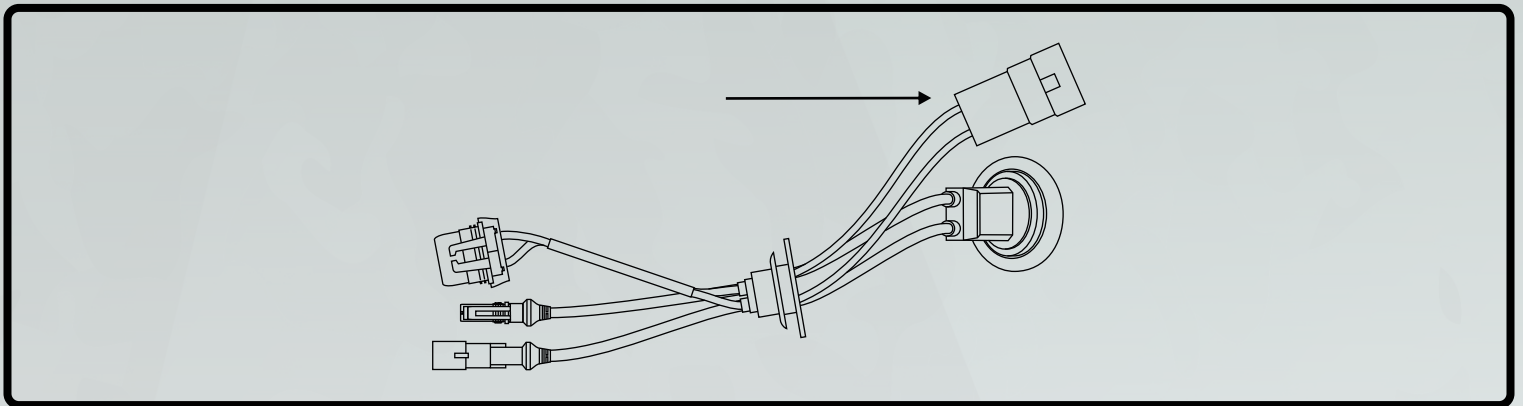
Install the bulb into housing, replacing the stock halogen bulb.



Click male and female AMP connectors into igniter. Ensure tabs are fully latched.

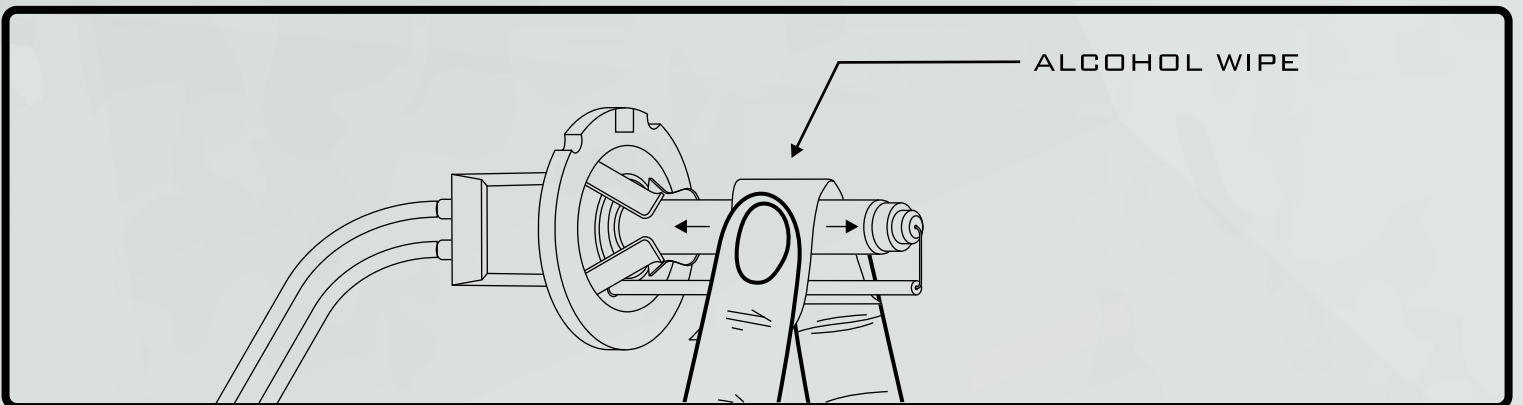


For externally-wired housings, the indicated pass-through wiring is not needed. Cut the wires at either side of the grommet and remove the wires from the bulbs.

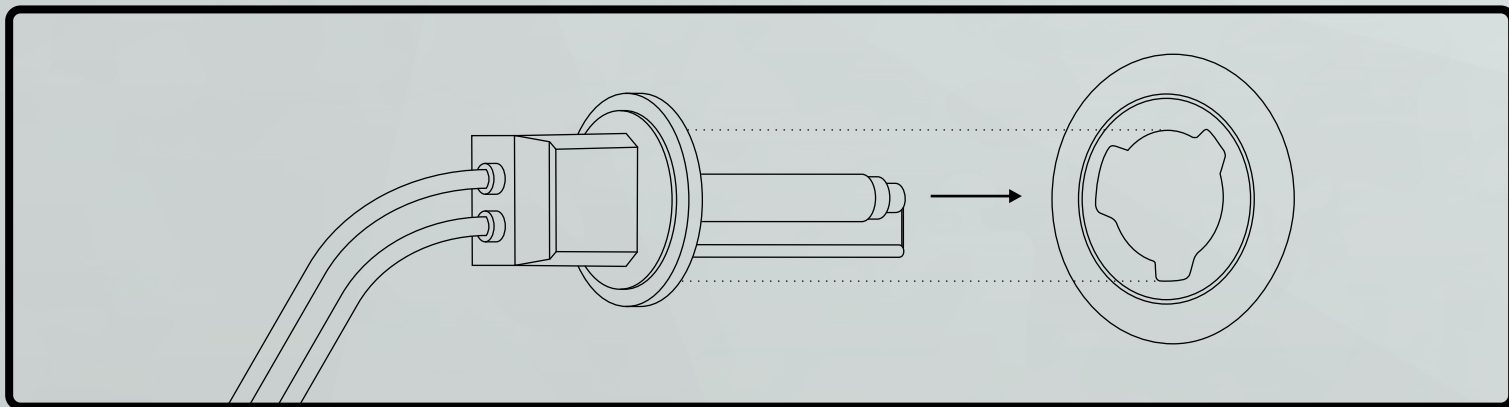


## INSTALL PROCESS - INTERNALLY-WIRED

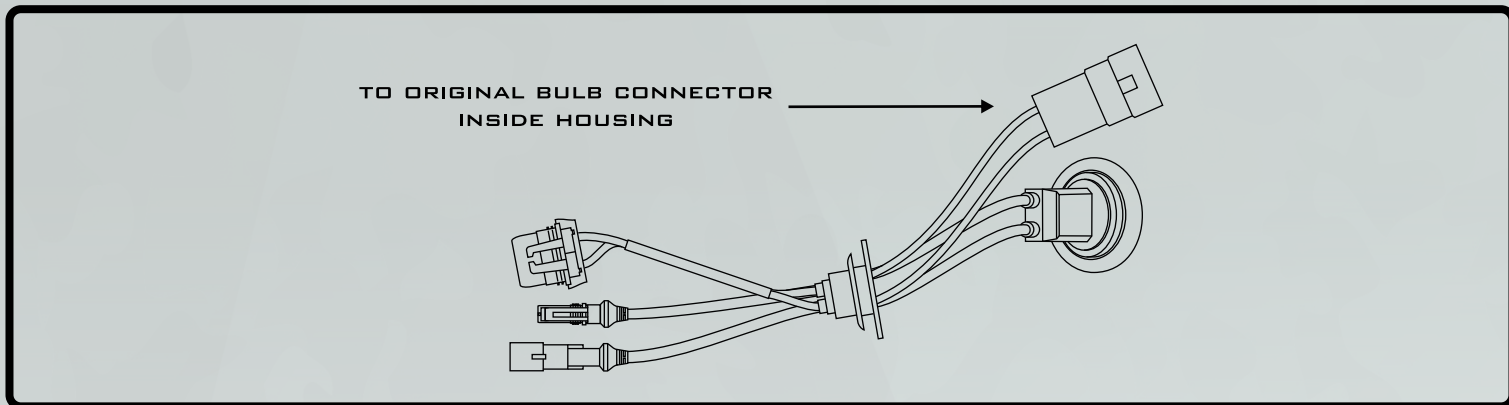
Using an alcohol wipe, clean the bulb glass of any dust, dirt, or finger prints.



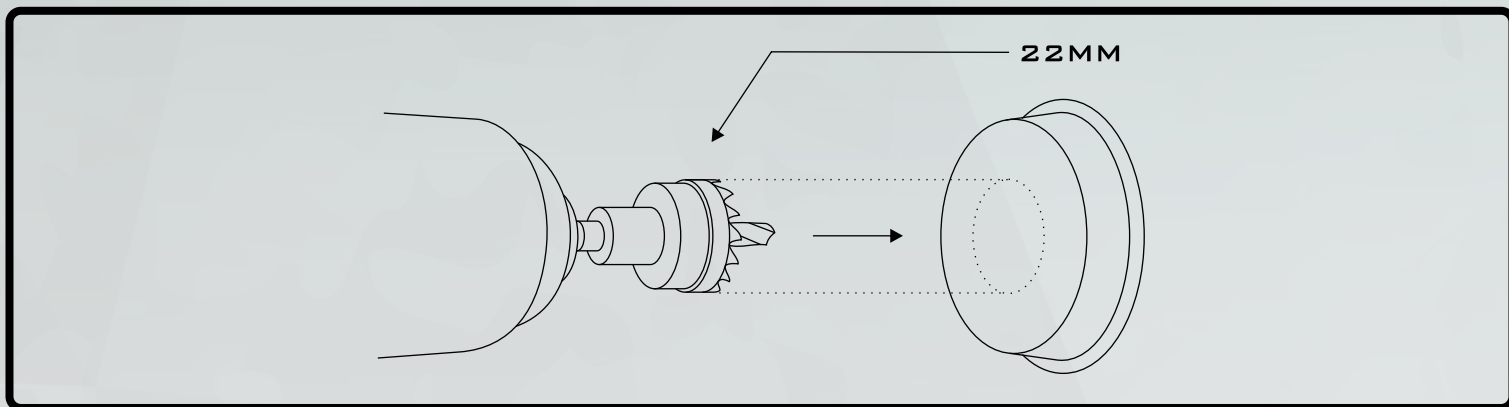
Install the bulb into housing, replacing the stock halogen bulb.



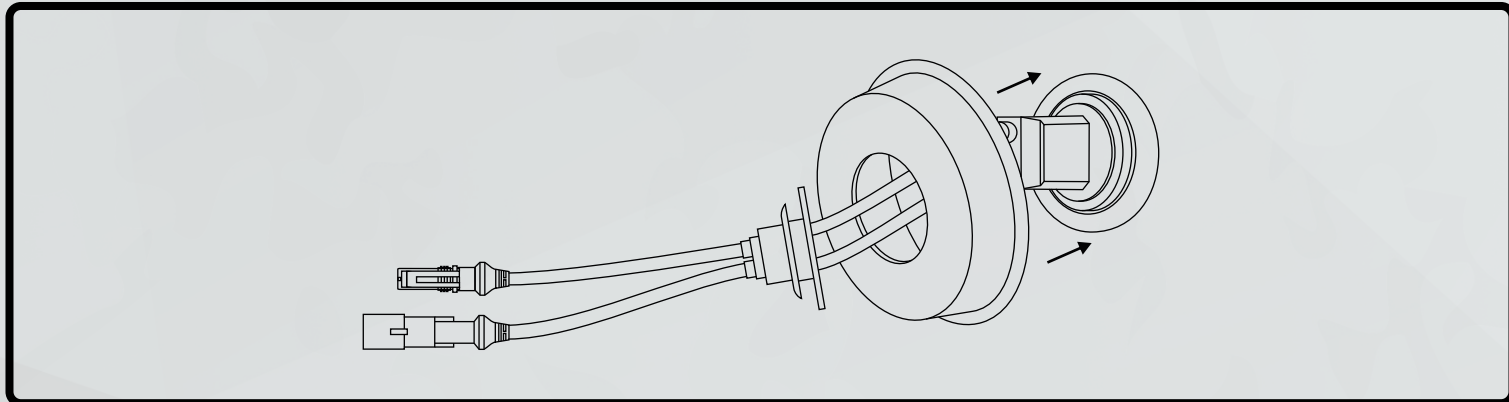
Inside the housing, connect the pass-through wiring into the original bulb connector. NOTE: Style may vary.



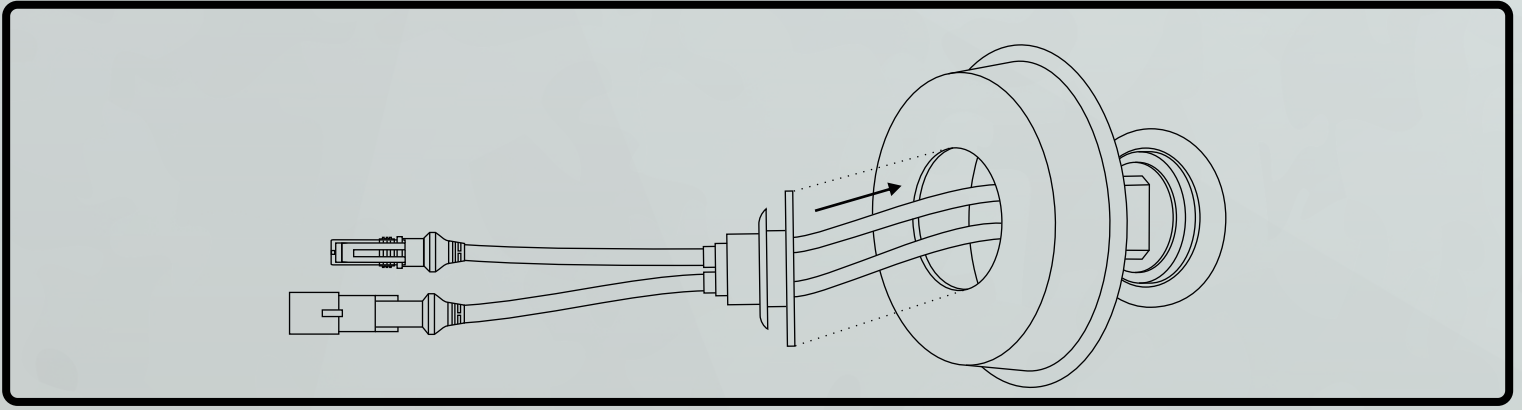
In the factory housing cap that covers the bulb, drill a 22mm hole using a hole saw.



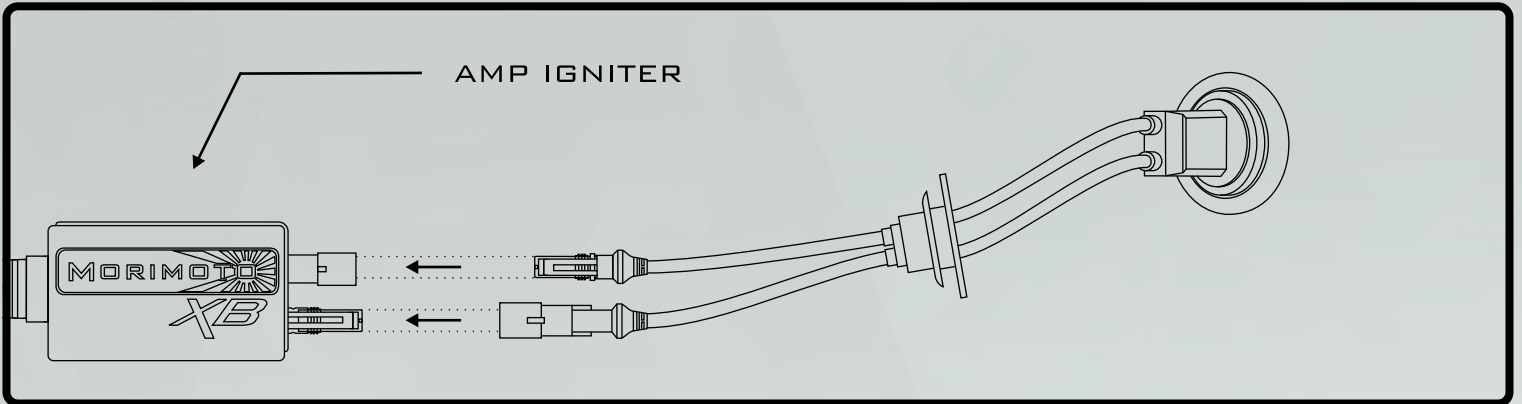
Reinstall the factory housing cap into its original position.



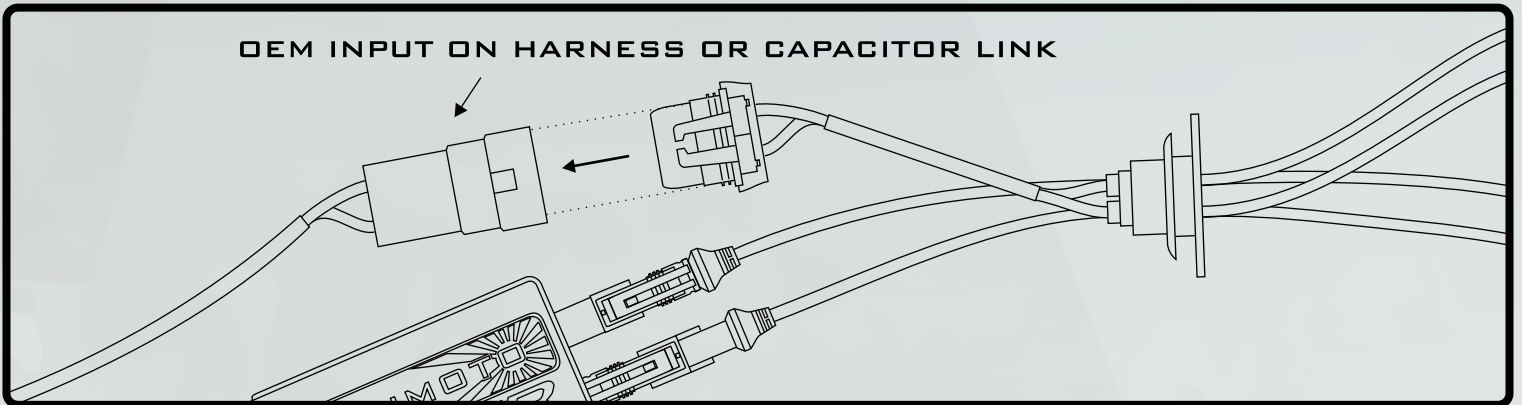
Fit silicone gasket into hole in housing cap, ensuring each side fully covers the hole.



Click male and female AMP connectors into igniter. Ensure tabs are fully latched.



The last connector is the harness input. On a relay harness setup, only the side closer to the 12v+ power source is needed.



-END-