



baja designs[®]
The Scientists of Lighting

**44-7110, 44-7115, 44-7125 Toyota Tacoma ('12-'17), Tundra ('14-'17), 4Runner ('10 - ON)
Fog Light Kit Instructions**



185 Bosstick Boulevard • San Marcos • CA • 92069

Phone 760-560-2252 • Fax 760-560-0383

info@bajadesigns.com • www.bajadesigns.com



baja designs®
The Scientists of Lighting

LIMITED LIFETIME WARRANTY

Baja Designs proudly offers a LIFETIME WARRANTY against manufacturer's defect on all the products that we manufacture.

These are comprehensive warranties; other than the exclusions below – you're covered. If your LED or HID bulb burns out, you're covered. Additionally, cutting off our connector or changing your lenses does not automatically void your warranty.

Exclusions:

Installation errors, abuse, misuse or crash damage. You must be the original owner of the product and can supply proof of purchase.

Baja Designs manufactures its own products as well as resells products manufactured by others. Baja Designs makes no express or implied warranties on products not manufactured by Baja Designs including without limitation any warranties or merchantability and fitness for a purpose. We will however, pass on all warranties made by the manufacturer, who has sole responsibility for performing such warranties.

Baja Designs will pay the freight if your product is less than 90 days old, otherwise defective products must be returned to Baja Designs, Inc., freight prepaid. At our option, we will repair or replace items in question and return them at no charge. If the identical product is no longer available, we will replace with a similar product of equal value. Baja Designs Inc. will not be responsible for any indirect or consequential damages in connection with defective merchandise. Items purchased through a Baja Designs authorized dealer must be returned through the dealer. Only available on LED auxiliary lights and product must be in sellable condition at MSRP. Product that has been damaged in any way after the original purchase date will be excluded from this guarantee.

Indemnification:

Buyer hereby acknowledges off-roading, racing and driving at night are dangerous activities and that the products and/or supplies purchased from Baja Designs are used in an inherently dangerous activity that may endanger life and limb; and in no event shall the seller, or seller's heirs and assigns, be held liable for consequential damages, nor shall seller's liability on any claim for damages arising out of or connected with the sale, delivery, or use of purchased products and/or supplies exceed the purchase price of the products and/or supplies.



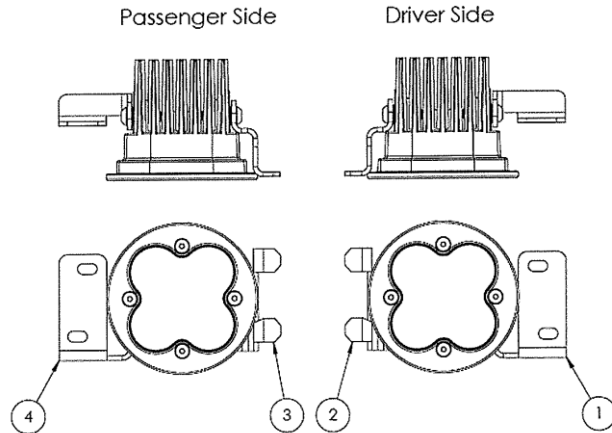
baja designs
The Scientists of Lighting

Tacoma ('12 - '17) & Tundra ('14 - '18)





baja designs
The Scientists of Lighting



Step 1: Remove stock fog light by removing screws on outside edge. If equipped, you may want to unscrew the plastic wheel well shroud to gain access.

****Note: Depending on vehicle year there may be a backslash behind the light which will need to be removed.****

Step 2: Bolt kit brackets onto Squadron lights as seen in the picture above being sure the angled bezels line up with the driver and passenger shrouds.

****Note: Make sure serrated washers are in between the light housings and the four brackets.****

Step 3: Included in the kit is two thicknesses of sticky back EPDM which is intended to be placed onto the ears of brackets 2 & 3. Cut the EPDM into 1/2" x 1/2" squares.

****Note: Use the thicker EPDM for the Tundra and the thinner for the Tacoma.****





baja designs
The Scientists of Lighting

Step 4: Tighten the lights onto vehicle with one of the factory screws.

****Note: While tightening the screws gently push the light assembly inward to ensure alignment.****

****Note: Tacomas and Tundras will only have one factory screw. Tundras will have an additional bolt, nut, washers and rubber cap to dampen vibration as described in the following section.****

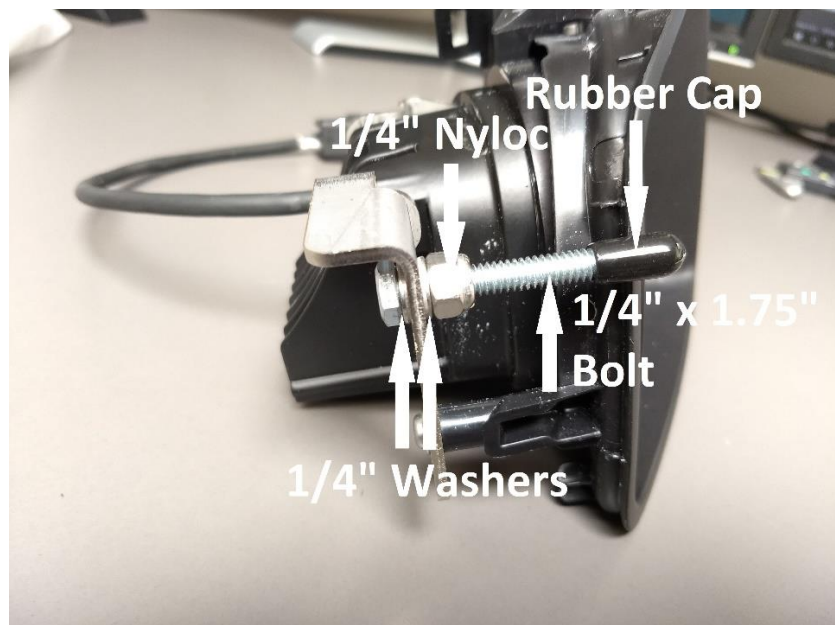
Step 5: Use the included H-11 wiring adapters to plug into factory wiring being sure to check polarity of vehicle wiring prior to installing 2 pin connectors onto adapter.

Note: The Squadron light wiring polarity is as follows; white = positive, black = negative

The next set of steps pertain to only the **Toyota Tundra**

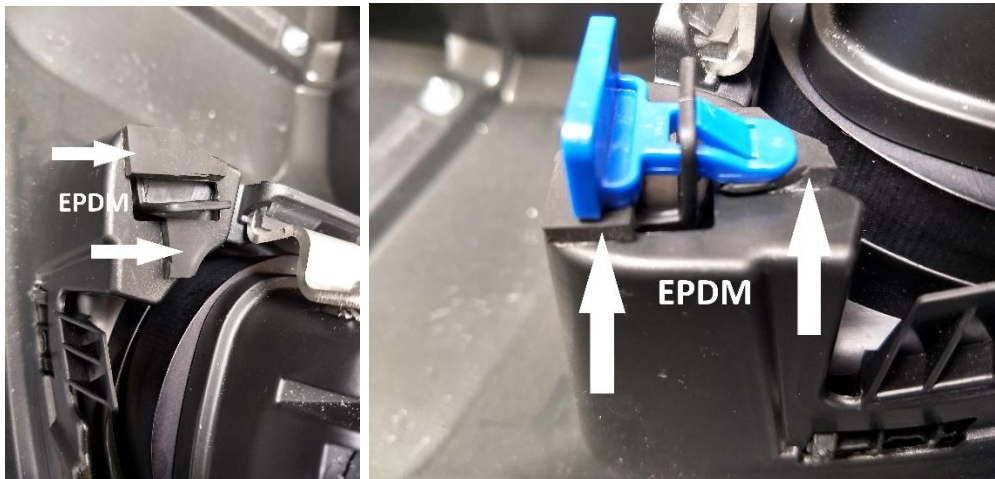
Step 1: Place a 1/4" washer onto the included 1/4"-20 x 1.75" long bolt and install bolt into the remaining slot, place another washer onto bolt then thread nyloc onto bolt fully tightening bolt to bracket. Finally, place rubber cap onto end of bolt as shown below.

****Note: Removal of the entire shroud assembly from bumper and installing Squadron lights into them will better allow for aligning the bezels with the shroud and tightening the bolts properly.****



Step 2: With the blue clip that holds the shroud onto bumper removed, place two strips of the thinner sticky back EPDM onto the bumper in the location shown and reinstall the clip. This will help secure the shroud to the bumper and reduce vibration.

****Note: Be careful not to stress or break the plastic as this will be a snug fit. A small amount of silicone spray or WD-40 applied to top of EPDM will aide installation.****





baja designs
The Scientists of Lighting

4Runner ('10-ON)



****Note: Installation below was performed on a 2018 4Runner Limited. Other sub-model procedures may vary.****

Step 1: Remove bolts from front and bottom of inner fender wells.



Step 2: With access behind inner fender wells remove one white clip and one screw holding left and right fog light shrouds onto bumper.



Step 3: Remove core support cover by removing the push clips.



Step 4: Remove the two remaining white clips holding fog light shrouds to bumper.

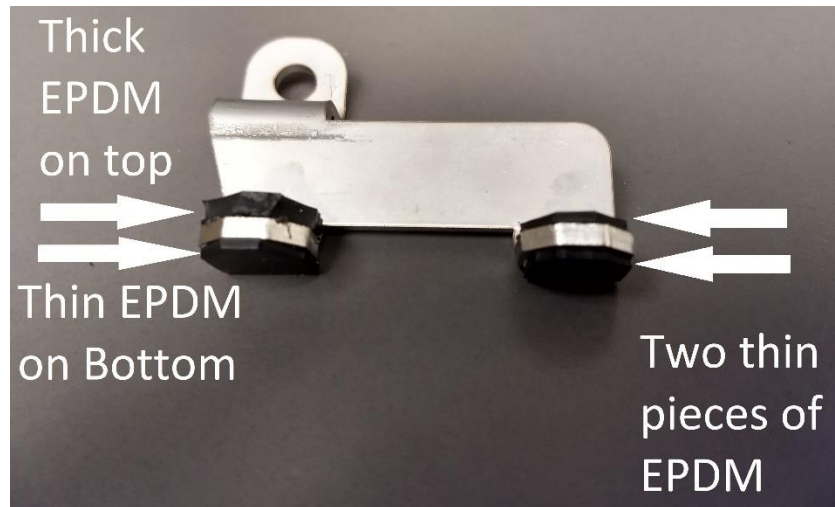




baja designs
The Scientists of Lighting

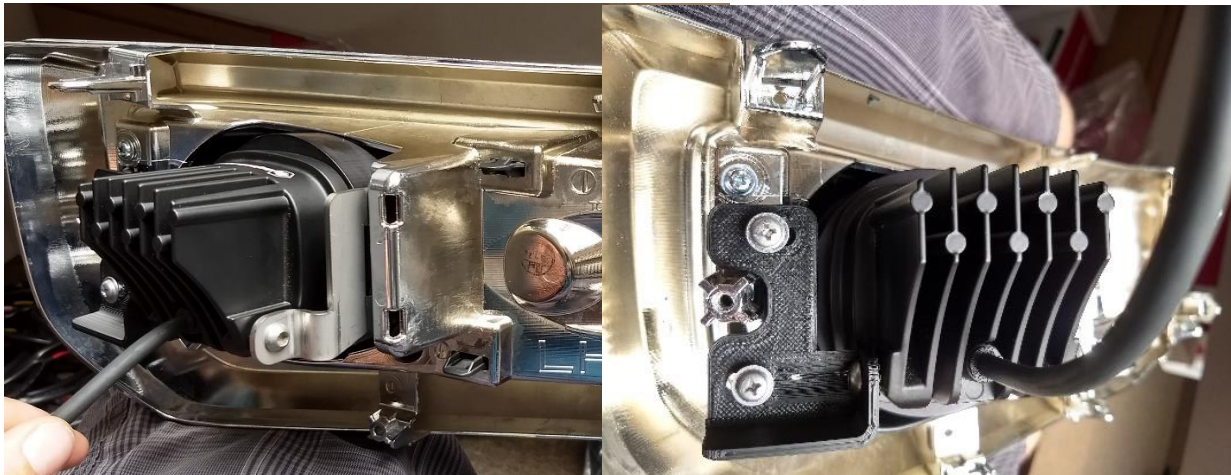
Step 5: Remove fog light shrouds and remove factory fog lamps keeping the factory screws which will be reused.

Step 6: Install sticky back EPDM onto kit brackets.



Step 7: Install brackets onto Squadrons and install into shrouds with factory fog light screws.

****Note: The fitment will be snug, so a little silicone spray or WD-40 may be necessary on top of the EPDM to slide it in.****



Step 8: Install shrouds with Squadrons onto vehicle the reverse of removal.

Step 9: Use the included wiring adapters to plug into factory wiring being sure to check polarity of vehicle wiring prior to installing 2 pin connectors onto adapter.