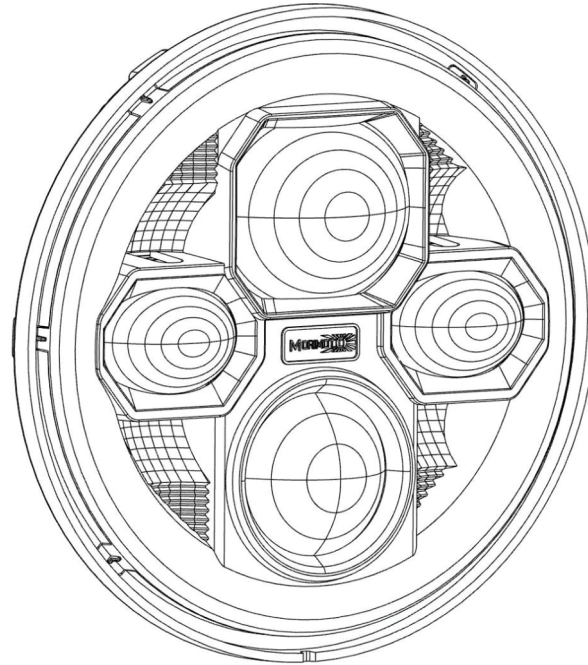




THE AUTOMOTIVE LIGHTING BENCHMARK



INSTALLATION GUIDE
SEALED7 2.0



WARNING: By reading this document, I agree it is only to be used as an educational guide. Morimoto Lighting makes no guarantee on any finished results, nor are they to be held responsible for any damage, misuse, or personal injuries. Use at your own risk. If you are unable to clearly understand and adapt the information below, professional installation is recommended.

PACKAGE CONTENTS



1X SEALED7 2.0 LIGHT



3X 16-14GA. WIRE T-TAPS



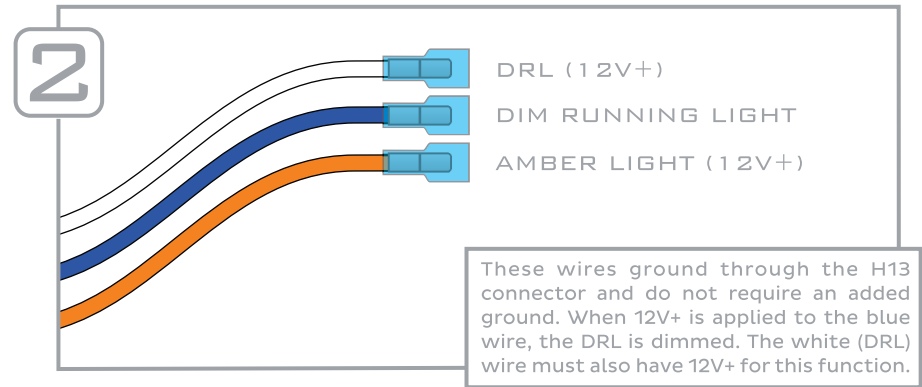
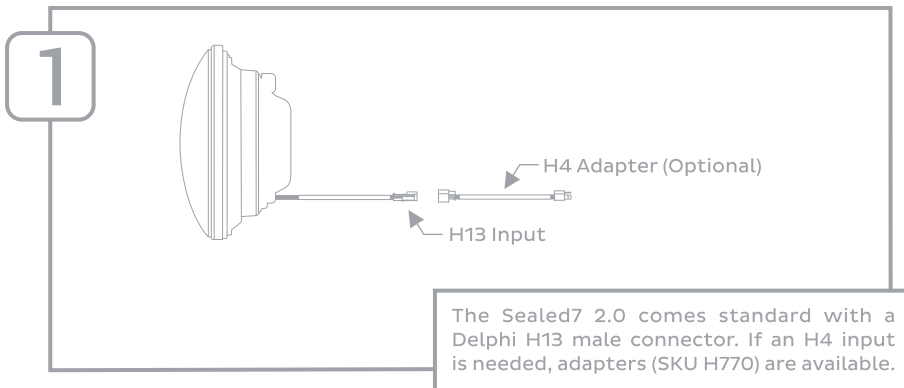
1X H4 INPUT ADAPTER
(OPTIONAL)

INSTALLATION



AS THE SEALED7 2.0 IS A DIRECT REPLACEMENT 7" HOUSING, INSTALLATION IS ONLY A PROCESS OF REMOVING THE EXISTING HOUSING AND REPLACING IT WITH THE NEW HOUSING. REFER TO THE MANUFACTURER'S SUGGESTED PROCESS OF HOUSING REMOVAL FOR YOUR SPECIFIC MAKE AND MODEL.

WIRING



-END-