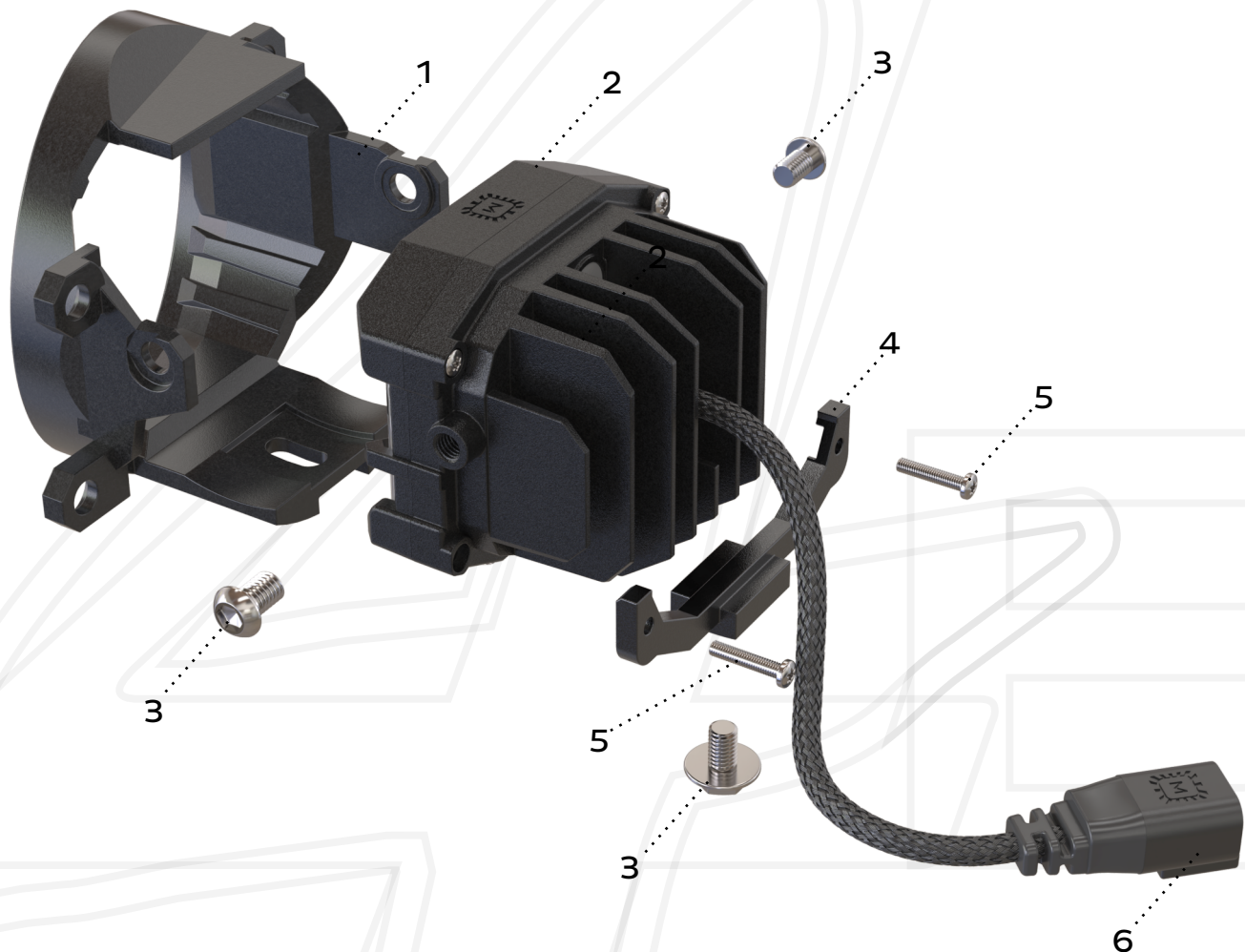




## Type T Fog Light Bracket Assembly

Designed as a direct replacement for your original fog lights. For SAE compliance and minimal glare to oncoming traffic, we recommend using the NCS Wide Beam with a -3 Degree aim.



1. Type T Mount
2. 4Banger Light Pod
3. M6-1 x 8mm Stainless Steel Button Head Screw
4. Type T Adjuster
5. M3 x 16mm Stainless Steel Button Head Screw
6. Deutsch DT Input (Use DT to H11 Adapter [Not Shown])